

Owensboro, KY
270.684.4202

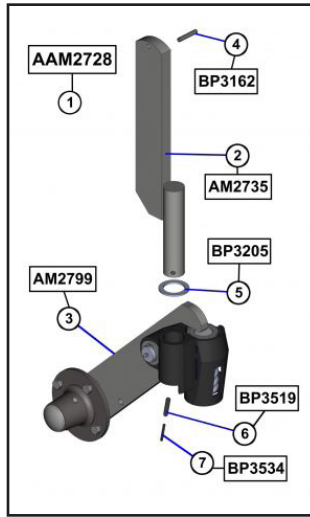
Russellville, KY
270.725.8948

Greensburg, IN
812.222.1220

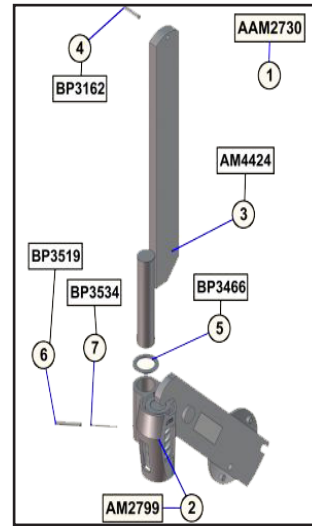
Mt. Vernon, IL
618.847.0283



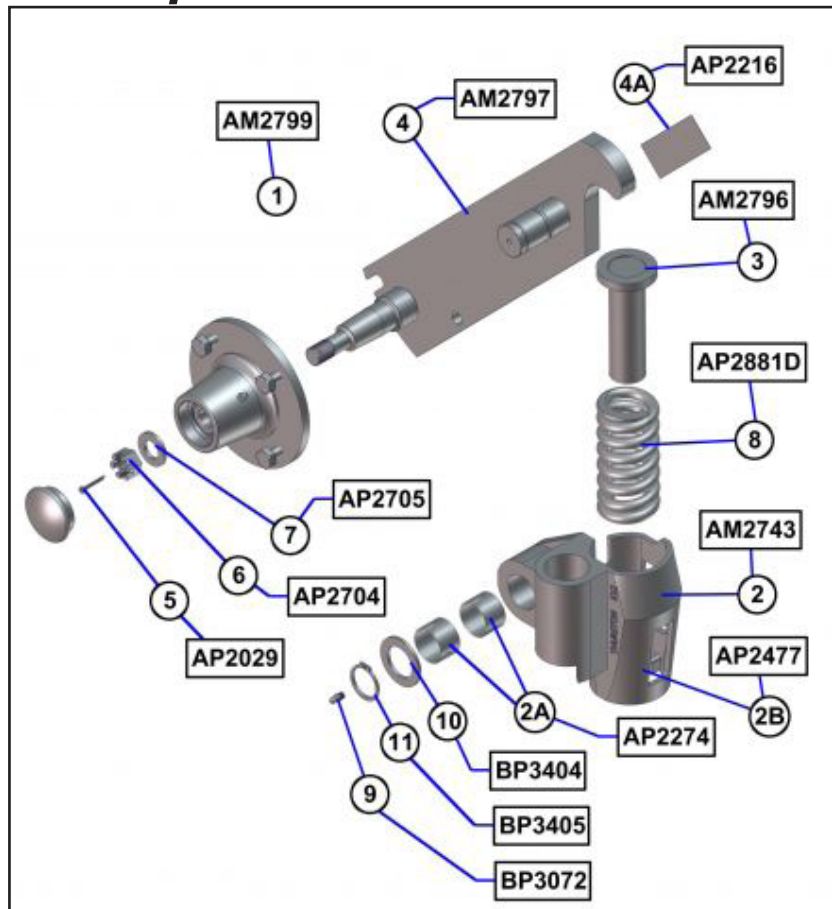
AAM2728 16" Shank



AAM2730 23" Shank



Super 1200 Flex Coultter

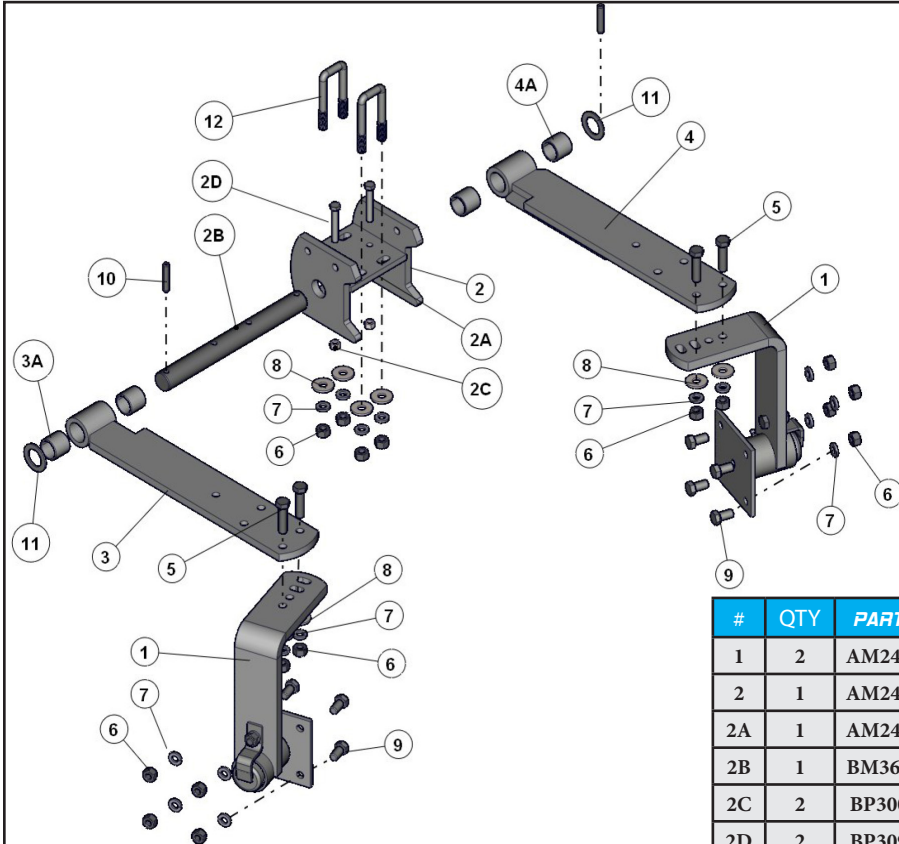


Coultter Components

Call for Pricing



15

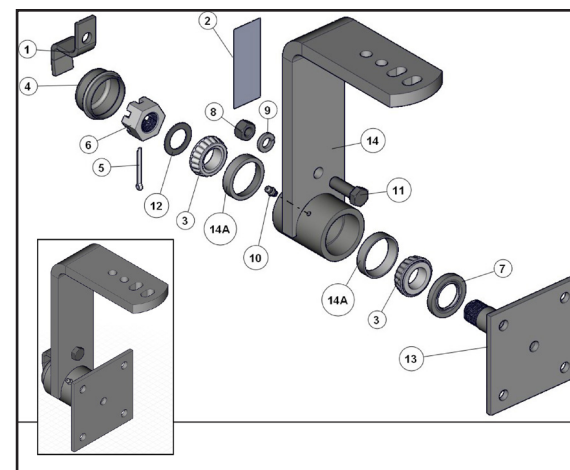


SealPro II Disc Sealer

#	QTY	PART#	DESCRIPTION
1	2	AM2481	Assembly, Sealer Hanger w/ Blade Mounting
2	1	AM2485	Assembly, Sealer Mounting Bracket
2A	1	AM2484	Bracket, Sealer Mounting
2B	1	BM3643	Pin, 1-1/4" x 12-1/2" OAL, Sealer Shaft
2C	2	BP3003	Nut, Hex Lock, 3/8"-16, Grade 2, Plated
2D	2	BP3096	Hex Cap Screw, 3/8"-16 x 2-1/2", Grade 5, Plated
3	1	AM2486	Sealer Arm, Left Hand
3A	2	AP3115	Bushing, Self-Lubricated 1-1/4" x 1-1/4" Long
4	1	AM2487	Sealer Arm, Right Hand
4A	2	AP3115	Bushing, Self-Lubricated 1-1/4" x 1-1/4" Long
5	4	BP3041	Hex Cap Screw, 1/2"-13 x 2", Grade 5, Plated
6	16	BP3042	Nut, Hex, 1/2"-13, Grade 2 Plated
7	16	BP3043	Washer, Lock, 1/2", Plated
8	8	BP3050	Washer, Flat, 1/2", Plated
9	8	BP3125	Hex Cap Screw, 1/2"-13 x 1", Grade 5, Plated
10	2	BP3162	Pin, Roll, 3/8" x 2", Plated
11	2	BP3249	Machinery Bushing, 1-7/8" OD x 1-1/4" ID, 14 Gauge
12	2	BP3313	U-Bolt, 1/2"-13 x 2"W x 2-3/4"L, Plated

SealPro II Sealer Hanger

#	QTY	PART#	DESCRIPTION
1	1	AM2482	Hub Cap Retainer
2	1	AP2216	Decal, Blu-Jet, Small, 1-1/2" x 4"
3	2	AP2377	Bearing Cone, L44649
4	1	AP2380	Hub Cap
5	1	AP2426	Pin, Cotter, 5/32" x 1-3/4"
6	1	AP2811	Nut, Spindle, 1"-14
7	1	AP4209	Grease Seal, Double Lip
8	1	BP3042	Nut, Hex, 1/2"-13, Grade 2, Plated
9	1	BP3043	Washer, Lock, 1/2", Plated
10	1	BP3072	Grease Zerk, 1/4"-28
11	1	BP3126	Hex Cap Screw, 1/2"-13x1-1/2", Grd 5, Plated
12	1	BP3739	Machinery Bushing, 1-1/2" ODx1" ID, 14 Gauge
13	1	EM3245	Blade Mounting
14	1	EM3246	Sealer Hanger
14A	2	AP2376	Bearing Cup, L44610



Coulter Components



Owensboro, KY
270.684.4202

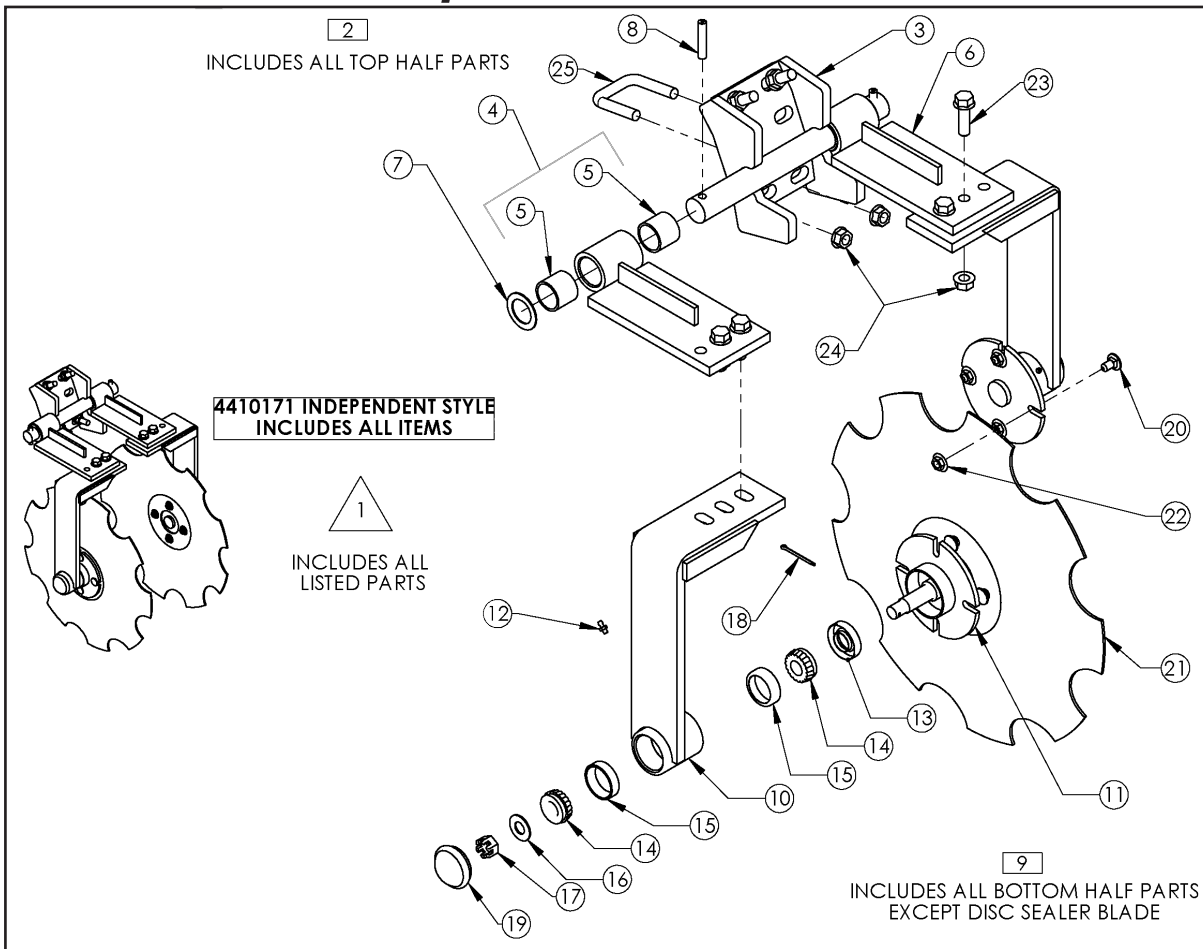
Russellville, KY
270.725.8948

Greensburg, IN
812.222.1220

Mt. Vernon, IL
618.847.0283



Dalton Independent Disc Sealer



#	PART #	Description	QTY.
1	4410171	INDEPENDENT STYLE	1
2	4410174	UPPER MOUNTING BRACKET	1
3	4420271	SHANK MOUNTING BRACKET	1
4	4410256	PIVOT ARM W BUSHING, LH	1
5	4440857	BUSHING, COMPOSITE	2
6	4410255	PIVOT ARM W BUSHING, RH	1
7	150251	FLAT WASHER, 1.25 ID x 1.875 OD	2
8	101689	SPRING PIN .375x2	2
9	4420277	HUB ASSEMBLY, STD	2
10	4420273	HUB BRACKET, STD, WELDMENT	1
11	4420201	SPINDLE HUB, STD, WELDMENT	1
12	151222	GREASE ZERK, .25 SELF TAPPING	1

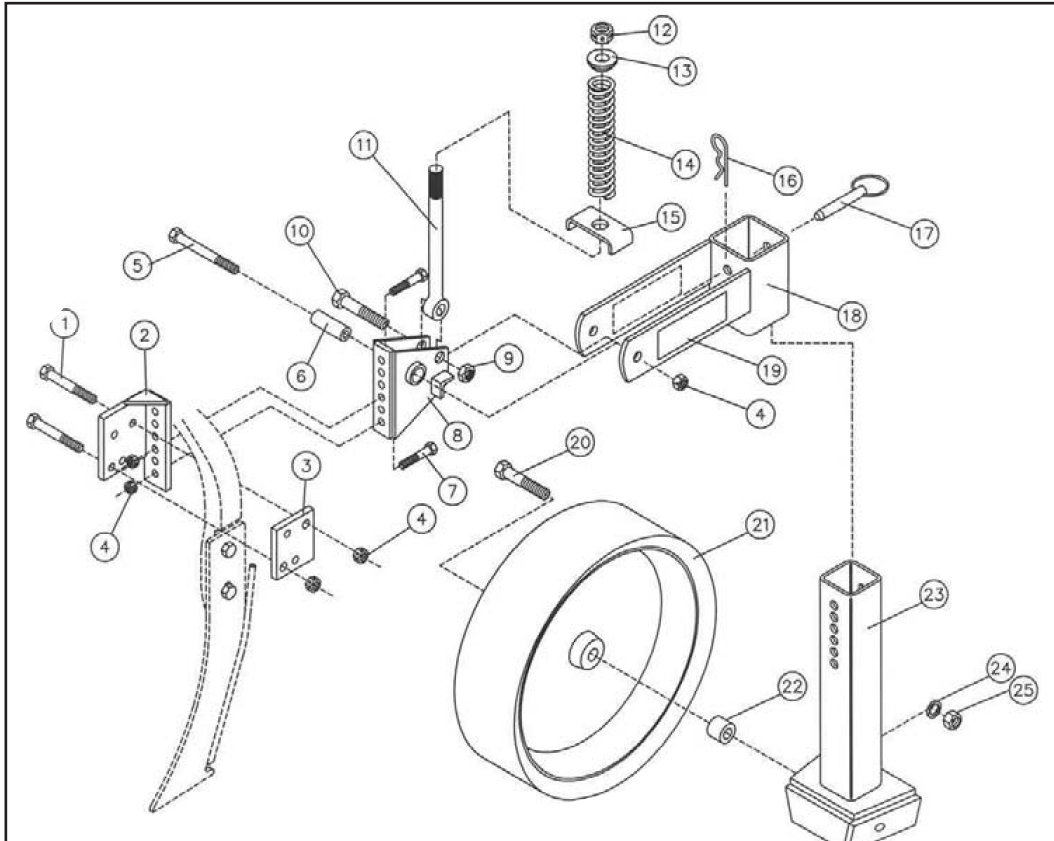
#	PART#	DESCRIPTION	QTY
13	4440704	SEAL	1
14	4440702	BEARING	2
15	4440703	RACE	2
16	150224	FLAT WASHER, .625	1
17	4440737	SLOTTED NUT	1
18	150406	COTTER PIN, .125 x 2	1
19	QDS909923	DUST CAP, 1.75	1
20	151835	CARRIAGE BOLT .375x.75 NC PLTD	8
21	4440785	BLADE, 18 INCH NOTCHED	2
22	158005	FLANGE NUT, .375 NC	8
23	158006	FLANGE BOLT, .5 NC x 1.75, G5	4
24	158007	FLANGE NUT, .5 NC	8
25	4440788	U-BOLT, 2 x 2.5 x .5 NC, SQUARE HEAD	2

Call for Pricing



17

Coulter Components



#	PART #	DESCRIPTION	QTY
1	2502-313	1/2-13 X 3 HHCS GR. 5 ZP	2
2	2920-211	SHANK MOUNTING BRACKET W.A.	1
3	2920-339	SHANK MOUNTING CLAMP PLATE	1
4	2520-357	1/2-13 LOCK HEX NUT ZP	4
5	2502-363	1/2-13 X 4-1/2 HHCS GR. 5 ZP	1
6	2920-342	INNER PIVOT BUSHING ZYD	1
7	2502-317	1/2-13 X 1-3/4 HHCS GR. 5 ZP	2
8	2920-210	MOUNTING BRACKET W.A.	1
9	2520-467	5/8-11 JAM HEX NUT ZP	1
10	2502-393	5/8-11 X 2-1/2 HHCS GR. 5 ZP	1
11	2920-324	PUSHROD, 9-3/16" EYEBOLT, ZP	1
12	2520-515	3/4-10 LOCK HEX NUT ZP	1
13	2975-302	2975 SPRING BUSHING, PAINTED	1
14	2920-350	COMPRESSION SPRING, SEALER	1
15	2920-330	DISC SEALER SPRING BRACKET	1
16	2570-448	1/8 STANDARD HAIRPIN COTTER ZP	1
17	2925-315	PIN, L128	1
18	2920-212	SEALER WHEEL ARM W.A.	1
19	2565-162	YETTER DECAL, 1-1/2 X 4-1/2	2
20	2502-336	5/8-11 X 4 HHCS GR. 5 ZP	2
21	2570-750	4.5X16 NYL/STL GA WHL 40MM OFFSET	2
22	2967-302	SPACER, 3/4" ZYD	2
23	2925-206	ADJUSTMENT STEM W.A.	1
24	2525-451	5/8 MED. LOCKWASHER ZP	2
25	2520-452	5/8-11 HEX NUT ZP	2

Yetter Wheel Sealer

Part # 2920-020



- Anhydrous wheel sealer
- Bolts onto the following: 1"x2" and 1-1/4"x2" flat shanks, 1-1/4" square-coil shanks, and 2" shanks
- Has 40 mm bearings and 4"x16" closing wheels
- Pinches slot closed

Coulter Components



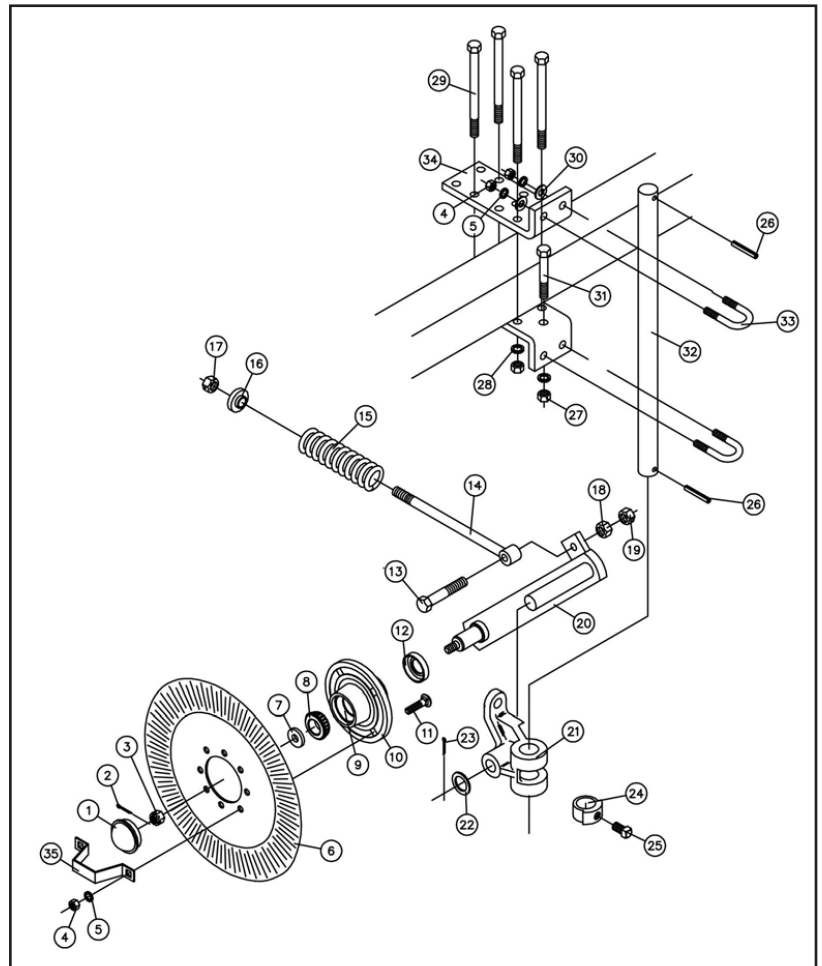
Owensboro, KY
270.684.4202

Russellville, KY
270.725.8948

Greensburg, IN
812.222.1220

Mt. Vernon, IL
618.847.0283

#	Part #	Description	QTY
1	2570-375	Hub Cap	1
2	2531-102	1/8 x 1 1/4 Cotter Pin	1
3	2520-469	5/8-1 Slotted Hex Nut	1
4	2520-352	1/2-13 Hex Nut ZP	8
5	2525-352	1/2 Med Lockwasher ZP	8
6	2571-168	.157 x 20" Multi Hole Fluted	1
7	2526-449	5/8 Flatwasher	1
8	2550-027	Cone, LM67048	2
9	2550-029	Cup	2
10	2900-102	Hub Sub-Assembly	1
11	2505-339	1/2-13 x 1 1/2 Car Blt GR5 ZP	4
12	2550-066	Triple Lip Seal, NTI#1812-4	1
13	2502-410	3/4-16 x 3" HHCS GR5 ZP	1
14	2570-125	Pressure Rod, 9 3/8" Eyebolt	1
15	2910-311	7/16 Wire Spring	1
16	2910-302	2910 Spring Bushing	1
17	2520-516	3/4-10 Nylon Locknut GR2 ZP	1
18	2520-508	3/4-16 Hex Nut ZP	1
19	2520-511	3/4-16 Lock Hex Nut ZP	1
20	2910-201	Coulter Arm W.A.	1
21	2910-320	Pivot Casting Assy.	1
22	2526-561	1 17/64ID x 1 7/8OD x 14 GA MB BL	1
23	2531-125	1/4 x 1 3/4 Cotter Pin ZP	1
24	2910-301	Locking Collar Plow Coulter	1
25	2503-379	5/8-11 x 1 SQ HCPSS GR5 ZP	1
26	2530-208	3/8 x 2 1/2 Roll Pin ZP	2
27	2520-452	5/8-11 Hex Nut ZP	5
28	2525-451	5/8" Med Lockwasher ZP	5
29	2502-394	5/8-11 x 8" HHCS GR5 ZP	4
	2502-348	5/8-11 x 11" HHCS GR5 ZP	4
30	2526-351	1/2" STD Flat washer ZP	4
31	2502-385	5/8-11 x 3-1/4 HHCS GR5 ZP	1
32	3010-303	Straight Coulter Shank	1
33	3010-304	Shank U-Bolt ZP	2
34	3010-301	Shank Bracket	2
	3010-306	Shank Bracket, 5x7 or 7x7 Bar	2
35	2987-301	Hub Cap Retainer	1



Yetter Coulter Blades



- Prevents need to disc through or shred residue
- Accepts 20" diameter coulter blades
- Accepts optional fertilizer injector systems
- Available with straight shank

Part # 2930-020



Call for Pricing



19

Coulter Components



Coulter Blades



Crucible Fixed

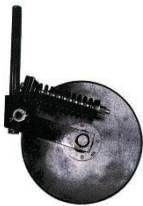


Fluted



Smooth

PART#	SIZE	TYPE	CENTER HOLES	GAUGE	THICKNESS (mm)	BCD	BOLT HOLES
20FLC COMBO	20"	Crucible Fixed	3 11/16"	7	4.5	5.0" & 5.25"	8
20FL COMBO	20"	Fluted	3 11/16"	7	4.5	5.0" & 5.25"	8
20 PL COMBO	20"	Smooth	3 11/16"	7	4.5	5.0" & 5.25"	8



KSC-466360



KSC-531002

Coulter Arms

- (KSC-531002) Shown with Shield K-5S Chrome Liquid Knife
- (KSC-531002) Also Accomodates Spray Stream Injectors
- 4" Vertical Travel
- Up to 800# Down Pressure
- Heavy-Duty 1 3/4" Diameter Mounting Bar
- Equipped with 20" Smooth Blade (Also Available in Fluted, Crucible & Notched)
- N633 Hub & Spindle
- Bar Mounts Available for Any Size Toolbar

PART#	DESCRIPTION
KSC-466360	20" Coulter Arm with Shaft & 20" Smooth Blade
KSC-466370	24" Coulter Arm with Shaft & 24" Smooth Blade
KSC-531002	20" Liquid Coulter Arm with Shaft & 20" Smooth Blade

Rigid Coulter Shank Mounts



PART#	DESCRIPTION
KSC-466392	4x4 or 6x4 Mount
KSC-466396	4x6 or 6x4 Mount
KSC-466397	5x7 or 7x7 Mount

** Each Requires (2) 5/8" U-Bolts (Sold Separately)

Rigid Coulter Mounts



PART#	DESCRIPTION
KSC-466340*	4x4 or 6x4 Mount
KSC-466640**	4x6 or 6x6 Mount
KSC-466571**	5x7 or 7x7 Mount

* Requires (1) 3/4" U-Bolt (Sold Separately)

** Requires (2) 3/4" U-Bolts (Sold Separately)

Spring Loaded Coulter-Shank Mounts



PART#	DESCRIPTION
KSC-466540	4x4 or 6x4 Mount
KSC-466540X	4x4 or 6x4 Double Spring Mount
KSC-466560	4x6 or 6x6 Mount
KSC466560X	4x6 or 6x6 Double Spring Mount
KSC-466570	5x7 or 7x7 Mount
KSC-466570X	5x7 or 7x7 Double Spring Mount

** Each Requires (2) 5/8" U-Bolts (Sold Separately)

Fertilizer Applicator Shanks



PART#	DESCRIPTION
KSC-1295	Blue-Jet 1" x 2" Shank
KSC-1298	DMI 1" x 2" Shank
KSC-1299	DMI 1 1/4" x 2" Shank

