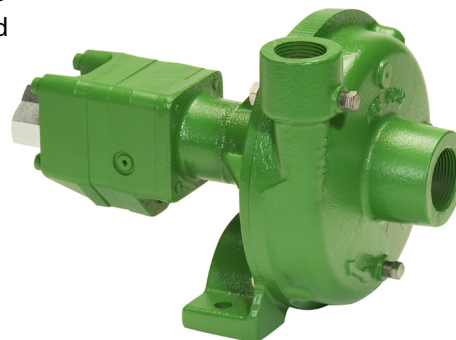




## Hydraulic Centrifugal Pumps

Centrifugal pump design provides good resistance to abrasive solutions and extra flow for agitation. All hydraulic driven pumps are equipped with a stainless steel shaft and wear ring for excellent corrosion resistance. The Ace gear type hydraulic motor is more efficient than gerotor type motors, and is less subject to damage by contamination than the gerotor design. A built-in needle valve allows for the bypass of up to 9 GPM (34 LPM) excess hydraulic fluid on open center systems. The standard motor has a reverse flow check valve which prevents backward hookup and a coasting check which protects the motor seal from the flywheel effect of the impeller. A restrictor orifice is included with pump models recommended for pressure compensating closed center systems.



**FMC-HYD**

**MOUNTING VERSATILITY:** The pump can be mounted in a variety of locations to suit application requirements.

**CUSTOMIZED PERFORMANCE:** The performance is dependent on the supply of hydraulic oil to the motor and not necessarily tied to engine speed.

**EASY MAINTENANCE:** Separate pump and hydraulic motor shafts simplify repair and replacement. Two main pump bearings support shaft loads. All pumps are equipped with easily replaceable Viton mechanical seals.

SERIES	SUCTION	DISCH.	MAX GPM	MAX PSI	PUMP OPTIONS	MOTOR OPTIONS
FMC-75-HYD-*	1"	3/4"	27	100	SC	204 & 206
FMC-HYD-*	1 1/4"	1"	92	100	SC, CI, BSP	203, 204, 206, 210, & 310
FMC-150SP-HYD-*	1 1/2"	1 1/4"	130	120	SC, CI, PI	206
FMC-150-HYD-*			135	120	SC, CI, PI, BSP	206
FMC-150F-HYD*	1 1/2"	1 1/4"	145 for 206 motor 155 for 304 motor	120 for 206 motor 130 for 304 motor	SC, CI, PI, SS	206 & 304
FMCS-155FS-HYD-*	220 flange	200 flange	145	120	CI, PI	206
FMC-650-HYD	1 1/2"	1 1/4"	140	160	SC, SI, BSP	-
FMC-650F-HYD	1 1/2" 220 flange	1 1/4" 200 flange	170	160	SC, SI, WS, SS	-
FMC-200-HYD-*	2"	1 1/2"	200	80 for 210 motor 120 for 304/310 motor	SC, CI, SI, SS	210, 304, & 310
FMC-200F-HYD-*	300 flange	220 flange	240	120	SC, CI, SI	304
FMCS-205F-HYD-*			240	120	CI, SI, SS	304
FMC-750F-HYD-*			290	150	SI	M22 & M25
FMC-855F-HYD			345	150	-	-

\*Motor option

SC = Severe Duty Silicone Carbide Shaft Seal      CI = Cast Iron Impeller      PI = Polypropylene Impeller  
SI = 316 Stainless Steel Impeller      BSP = British Standard Pipe Thread      WS = Oasis Wet Seal      SS = 316 Stainless Steel Pump

HYDRAULIC MOTOR	203	204	206	210	304	310	650 Series	M22	M25	855 Series
HYD. GPM	3	4	7	10	11 or 13*	25	14.5	18	20	23

\*13 gpm for flanged pumps



Owensboro, KY  
270.684.4202

Russellville, KY  
270.725.8948

Greensburg, IN  
812.222.1220

Mt. Vernon, IL  
618.847.0283

## Belt Driven Centrifugal Pumps



Ace belt driven pumps are available in a variety of models which can be belt driven or direct coupled to a power source. The pumps are available in either clockwise or counterclockwise rotation. The standard bare shaft pumps are designed with a keyway for mounting a drive pulley or coupling.

- Rotation determined when facing shaft end
- Stainless steel shaft and wear ring
- Chemical resistant Valox® or optional cast iron or 316 stainless steel impeller
- Standard Viton® carbon/ceramic seal or optional severe duty silicon carbide mechanical seal
- X-frame pumps have 3/4" stainless steel shaft (instead of standard 5/8") and larger bearings for extended life
- MAG-D models equipped with heavy duty 12V clutch



FMC-CW

### Counterclockwise Rotation

SERIES	SUCTION	DISCH.	MAX GPM	MAX PSI	Max HP	PUMP OPTIONS	DRIVE OPTIONS
FMC	1 1/4"	1"	70	170	4.2	SC, CI, BSP	MAG-D,
FMC-150	1 1/2"	1 1/4"	130	130	10	SC, CI, PI, BSP	MAG-D
FMC-150F	1 1/2" 220 flange	1 1/4" 200 flange	130	130	10	SC, CI, PI, SS	-
FMC-150SP	1 1/2"	1 1/4"	130	130	10	SC, CI, PI	MAG-D
FMC-650			140	160	22	SC, SI	MAG-D
FMC-650F	1 1/2" 220 flange	1 1/4" 200 flange	140	160	22	SC, SI, SS, WS	MAG-D
FMC-200	2"	1 1/2"	200	120	7.5	SC, CI, SI, SS	MAG-D, X
FMC-200F	300 flange	220 flange	200	120	7.5	SC, CI, SI, SS	MAG-D, X

### Clockwise Rotation

SERIES	SUCTION	DISCH.	MAX GPM	MAX PSI	Max HP	PUMP OPTIONS	DRIVE OPTIONS
FMC-CW-75	1"	3/4"	27	100	-	SC	-
FMC-CW	1 1/4"	1"	70	170	4.2	SC, CI, BSP	MAG-D
FMC-CW-150	1 1/2"	1 1/4"	80	120	4.7	SC, CI, BSP	MAG-D, X
FMC-CW-650			140	160	22	SC, SI, BSP, WS	MAG-D
FMC-CW-200	2"	1 1/2"	200	120	7.5	SC, CI, BSP	MAG-D, X
FMC-CW-800			180	170	14.2	SC	MAG-D

SC = Severe Duty Silicone Carbide Shaft Seal  
SI = 316 Stainless Steel Impeller

CI = Cast Iron Impeller  
BSP = British Standard Pipe Thread

PI = Polypropylene Impeller  
WS = Oasis Wet Seal

SS = 316 Stainless Steel Pump

Call for Pricing



113

Pumps



## PTO Driven Centrifugal Pumps

Centrifugal pump design provides good resistance to abrasive solutions and extra flow for agitation. Ace PTO belt driven centrifugal pumps are able to mount directly on 540 RPM and 1000 RPM tractor PTO shafts. The spring loaded idler maintains proper belt tension which minimizes the load on the pump bearings and helps absorb the shock of PTO engagement that can destroy cog belts or gears.

- Spring loaded idler
- Sealed ball bearings
- Belt guard completely covers pulleys, shaft, and belt
- Stainless steel shaft and wear ring



**PTOC-1000**

### PTO Shaft Options

-6SP



Standard 1-3/8" (34.9mm) 6 spline shaft for 540 RPM PTO Models

-6SPQC



Optional instant-attach quick coupler feature for 540 RPM PTO models

-21SP



Standard 21 spline 1-3/8" (34.9mm) split bore shaft with locking collar for 1000 RPM PTO models

-20SP



20 spline 1-3/4" (44.5mm) split bore shaft with locking collar for larger 1000 RPM PTO Models

-B



1" (25.4mm) stub shaft for installation on trailer sprayers driven by PTO tumblerod

SERIES	SUCTION	DISCH.	MAX GPM	MAX PSI	PUMP OPTIONS
PTOC-*	1 1/4"	1"	65	80	SC, CI, BSP
PTOC-150-*	1 1/2"	1 1/4"	100	110	SC, CI, PI, BSP
PTOC-150F-*	220 flange 1 1/2"	200 flange 1 1/4"	100	110	SC, CI, PI, BSP

\*600 or 1000 depending on tractor PTO shaft speed

SC = Severe Duty Silicone Carbide Shaft Seal

CI = Cast Iron Impeller

PI = Polypropylene Impeller

BSP = British Standard Pipe Thread



Owensboro, KY  
270.684.4202

Russellville, KY  
270.725.8948

Greensburg, IN  
812.222.1220

Mt. Vernon, IL  
618.847.0283

## Gas Engine Driven Centrifugal Pumps



Ace offers a complete line of Gasoline Engine Driven Centrifugal Pumps. The pumps provide service where power sources are limited or unavailable. The pumps are ideally suited to develop pressure for spray or transfer applications.

The pumps feature a direct coupled design with an easily replaceable mechanical seal and slinger ring between pump and engine to prevent liquid from damaging the engine.

The pumps are available complete or less engine (-LE). Complete units come assembled on the specified engine ready to install and run. Less engine (-LE) units come with all hardware necessary to mount on the specified engine.

Optional E-Coat finish (-EC) provides extra corrosion resistance on all surfaces inside and out (GE-660 only).



**GE-660**

SERIES	SUCTION	DISCH.	MAX GPM	MAX PSI	SHAFT	PUMP (-LE) HP RANGE	PUMP & ENGINE ASSEMBLY	OPTIONS
GE-75	1"	1 1/4"	25	70	5/8" keyed	2.8	2.8 HP Honda	SC
GE-85			24	65	3/4" keyed	4 or 5	-	SC
GE-100-A	1 1/4"	1"	50	50	5/8" NF thread	3 - 5.5	3.5 HP Briggs & Stratton	-
GE-650	1 1/2"	1 1/4"	110	120	5/8" NF thread	5.5	-	-
GE-660					3/4" keyed		5.5 HP Briggs & Stratton 4.8 HP Honda	SC, ES, EC
GE-800	2"	1 1/2"	140	140	1"-14 NF thread	8 - 10	-	SC
GE-860					1" keyed		7.9 HP Honda	SC, ES
GE-1600	2 1/2"	2"	280	120	1"-14 NF thread	16 - 20	16 HP Electric Start Vanguard*	SC

\*Engine less fuel tank

SC = Severe Duty Silicone Carbide Shaft Seal      EC = E-Coat finish

Call for Pricing



115

Pumps





# Gas Engine Driven Centrifugal Pumps

### Poly Pumps

- Precision molded construction
- Lightweight
- Corrosion resistant
- Superior design
- Low maintenance
- EPDM standard, FKM available
- V-shaped for quicker priming

### Cast Iron Pumps

- Rugged dependable service
- SS shaft sleeve
- Carbon ceramic seal with SS cup & spring with FKM rubber
- Replaceable inlet & outlet flanges
- Dynamically balanced impeller

### Stainless Steel Pumps

- 316 SS housing and wettable internal components including impeller, sleeve, wear plate and fasteners
- Carbon ceramic seal with SS cup & spring with FKM rubber
- Replaceable inlet & outlet flanges
- Dynamically balanced impeller



**200PH6**

THREADED BASE MODEL	MANIFOLD BASE MODEL	MATERIAL	INLET & OUTLET	MAX GPM	MAX PSI	TOTAL HEAD (FT)	ENGINE	OPTIONS	
200PH-5	M220PH5	Polypropylene	2" 220 Flange (M)	158 165 (M)	56 54 (M)	128 125 (M)	5.5 HP Honda	RC, E*, ERC, V, W*, EW†	
200PH6	M220PH6						6.5 HP Honda	W†	
200P6PRO	M220P6PRO						6.5 HP Briggs & Stratton	RC, E*, ERC, V, W*, EW†	
300PH-6	M300PH6						6.5 HP Honda	W*	
-	M300P6PRO		6.5 HP Briggs & Stratton	-					
300PH11^	M300PH11^		3" 300 Flange (M)	350 343 (M)	44 42 (M)	103 95 (M)	11 HP Honda	W*	
300P11PRO^	M300P11PRO^						11 HP Briggs & Stratton	W	
300PH13^	-						13 HP Honda	W	
200PI-3	-						Cast Iron	2" 220 Flange (M)	145
200PIH-5	-		5.5 HP Honda	E, W					
200PI6PRO	-	6.5 HP Briggs & Stratton	W						
222PIH5	-	5.5 HP Honda	E						
222PIH6	M222PIH6	6.5 HP Honda	W†						
222PI6PRO	-	6.5 HP Briggs & Stratton	-						
300PIH-8^	-	3" 300 Flange (M)	348	50	115	8 HP Honda		-	
300PIH-11^	-					11 HP Honda		-	
300PIH13^	-					13 HP Honda		W	
333PIH13^	M332PIH13	370 358 (M)	40 48 (M)	92 110 (M)	13 HP Honda	W†			
444PIH24	-	4"	633	71	163	24 HP Honda	-		
200PH5-SS	-	316 Stainless Steel	2"	150	46	106	5.5 HP Honda	-	
200P6PROSS	-						6.5 HP Briggs & Stratton	-	
300PH11-SS^	-		3"	348	50	115	11 HP Honda	-	
300PH13SS^	-						13 HP Honda	-	

\*To order pump with the option listed add the option's code after the base model number. For Honda engines remove the dash if applicable.

Example: 200PH-5 with electric start = 200PH5E or M220PH5 with electric start = M220PH5E

\*200 & 300 series cast iron pumps with wet seal options model number changes to 201 and 301. Example: 200PIH-5 with wet seal = 201PIH5W

RC = Roll Cage	E = Electric Start	ERC = Electric Start w/ Roll Cage	V = FKM & 316 Stainless Steel Seal	W = Wet Seal
EW = Electric Start w/ Wet Seal	* = Options available for manifold pumps		† = Options only available for manifold pumps	
^ = Standard with Electric Start				

**Pumps**



# Centrifugal Pumps (Pump Only)



**300PO**

THREADED BASE MODEL	MANIFOLD BASE MODEL	MATERIAL	INLET & OUTLET	IMPELLER	REQUIRED SHAFT	RECOMMENDED ENGINE (HP)	OPTIONS
200PO	-	Polypropylene	2"	3 Vane	3/4" keyed	5.5 - 6.5	V
205PO	M225PO		220 Flange (M)	5 Vane			V†
300PO	M300PO		3"	300 Flange (M)	4 Vane	3/4" keyed 1" keyed (WV)	6.5 - 13
150POICF5/8-4.1	-	Cast Iron	1 1/2"	4.1" 3 Vane	5/8" keyed	3.5 - 6.5	-
150POICF7/8	-			5" 3 Vane	7/8" keyed		-
200POI	-		3/4" keyed		W		
200POICF5/8	-		5/8" keyed		-		
200POICF7/8	-		7/8" keyed		-		
200POICF7/8-4.6	-		4.6" 3 Vane	-			
222POI	-		5 Vane	3/4" keyed	5.5 - 6.5	-	
225POI	-		5 Vane Trimmed			-	
300POI	-		3"	3 Vane	1" keyed	8	W
333POI	-			5 Vane	1" keyed	11 - 13	-
333POICF	-			5 Vane	1 3/8" keyed		-
444POI	-	4"	6 Vane	1 1/8" x 3 1/2" Keyed	24	-	
200PO-SS	-	316 Stainless Steel	2"	3 Vane	3/4" keyed	5.5 - 6.5	-
200POSSCF5/8	-				5/8" keyed		-
200POSSCF7/8	-				7/8" keyed		-
300PO-SS	-		3"	3 Vane	1" keyed	11 - 13	-
300PO-SSCF	-						-

- To order pump with the option listed add the option's code after the base model number.
- 200 series poly pumps with V option add a "-" after the base model number. Example 200PO-V
- 200 & 300 series pump's base model number changes to 201 and 301 with W or WV options
- 225POI recommended for use with 10 lbs/gal material or more
- CF models are C-Flanged
- 333POICF is for 215TC Frame

V = FKM & 316 Stainless Steel Seal      W = Wet Seal      WV = Wet Seal w/ FKM & 316 Stainless Steel Seal  
 † = Options only available for threaded pumps

Call for Pricing



117

Pumps



## Bearing Pedestal Centrifugal Pumps



### 200PBI

THREADED BASE MODEL	MANIFOLD BASE MODEL	MATERIAL	INLET & OUTLET	IMPELLER	SHAFT	RECOMMENDED ENGINE (HP)	OPTIONS
200PB	-	Polypropylene	2" 220 Flange (M)	3 Vane	3/4" keyed	5.5 - 6.5	V
205PB	M220PB			5 Vane			W†
300PB	M300PB		3" 300 Flange (M)	4 Vane	3/4" keyed	6.5 - 13	W
200PBI	-	Cast Iron	2"	3 Vane	3/4" keyed	3.5 - 6.5	W
222PBI	M222PBIW^			5 Vane	3/4" keyed	5.5 - 6.5	-
300PBI	-		3" 300 Flange (M)	3 Vane	1" keyed	8	W
333PBI	M332PBIW^			5 Vane	1" keyed	11 - 13	-
200PB-SS	-	316 Stainless Steel	2"	3 Vane	3/4" keyed	5.5 - 6.5	-
300PB-SS	-		3"	3 Vane	1" keyed	11 - 13	-

•To order pump with the option listed add the option's code after the base model number.  
•200 & 300 series cast iron pump's base model number changes to 201 and 301 with W option

V = FKM & 316 Stainless Steel Seal      W = Wet Seal      † = Options only available for manifold pumps  
^ = Standard with Wet Seal



Owensboro, KY  
270.684.4202

Russellville, KY  
270.725.8948

Greensburg, IN  
812.222.1220

Mt. Vernon, IL  
618.847.0283

# Electric Motor Driven Centrifugal Pumps



**234PPE51**

THREADED BASE MODEL	MANIFOLD BASE MODEL	MATERIAL	INLET & OUTLET	IMPELLER	MAX GPM	MAX PSI	TOTAL HEAD (FT)	MOTOR	OPTIONS
234PPE5	-	Polypropylene	2"	5 Vane	156	50	116	5.0 HP Three Phase	V
234PPE51	-			5.0 HP Single Phase	V				
234PIE3	-	Cast Iron	2" 220 Flange (M)	3 Vane	144	42	96	3.0 HP Three Phase	-
234PIE5	-							5.0 HP Three Phase	-
234PIE51	-			5.0 HP Single Phase	-				
222PIE5	M222PIE5W^			5 Vane	170	47		109	5.0 HP Three Phase
222PIE51	M222PIE51W^		5.0 HP Single Phase	-					
-	M332PIE10W^		3" 300 Flange (M)	5 Vane	357	48	110	10 HP Three Phase	-
-	M332PIE101W^							10 HP Single Phase	-
333PIE15	-							15 HP Three Phase	-
234PE3SS	-	316 Stainless Steel	2"	3 Vane	145	42	96	3.0 HP Three Phase	-
234PE5SS	-							5.0 HP Three Phase	-
234PE51SS	-							5.0 HP Single Phase	-

\*To order pump with the option listed add the option's code after the base model number.

V = FKM & 316 Stainless Steel Seal      ^ = Standard with Wet Seal

## Pump Only with Electric Motor Adapters

THREADED BASE MODEL	MATERIAL	INLET & OUTLET	IMPELLER	MOTOR ADAPTER
200PEO	Polypropylene	2"	5 Vane	56C
234POI	Cast Iron	2"	3 Vane	184TC
333POICF		3"	5 Vane	215TC

Call for Pricing



119

Pumps





# Hydraulic Driven Centrifugal Pumps

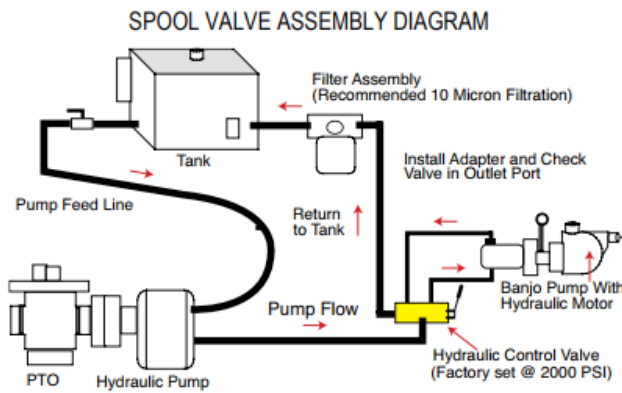


**200PIHY**

THREADED BASE MODEL	MANIFOLD BASE MODEL	MATERIAL	INLET & OUTLET	IMPELLER	MAX GPM	MAX PSI	TOTAL HEAD (FT)	HYD. MOTOR	OPTIONS	
200PHA	-	Polypropylene	2" 220 Flange (M)	5 Vane	177	53	121	PUMP ONLY	-	
200PHY	M220PHYW^				187 (M)	54 (M)	125 (M)	12 HP	W	
300PHY	-		3"	4 Vane	343	42	96	12 HP	W	
200PIHA	-	Cast Iron	2"	3 Vane	150	46	106	PUMP ONLY	-	
222PIHY	-			5 Vane	186	53	123	12 HP	-	
300PIHY	-		3"	3 Vane	348	50	115	21 HP	-	
-	M332PIHAW^		300 Flange (M)	5 Vane		358	48	110	PUMP ONLY	-
-	M332PIHYW^									21 HP
200PHYSS	-	316 Stainless Steel	2"	3 Vane	150	46	106	12 HP	-	

•To order pump with the option listed add the option's code after the base model number

W = Wet Seal      ^ = Standard with Wet Seal



Hydraulic Motor Spool Valve  
HSV1000



Owensboro, KY  
270.684.4202

Russellville, KY  
270.725.8948

Greensburg, IN  
812.222.1220

Mt. Vernon, IL  
618.847.0283

## CDS-John Blue Pumps



### Poly Diaphragm Pumps



Low Pressure  
DP-43-P

#### Specifications:

- Maximum Flow: 4.3 gpm @ 550 rpm and 290 psi.
- Maximum Pressure: 290 psi
- Maximum Speed: 650 rpm
- Maximum Power: 1.0 hp @ 550 RPM and 290 psi.
- Weight: 12.32 lbs.
- Diaphragms: 2
- Suction Hose Diameter: 3/4" Hose
- Discharge Hose Diameter: 1/2" NPT
- Max Temperature: 140°F
- Lubricating Oil Type: 30 SAE
- Can be PTO, gasoline engine, or electric motor driven



Medium Pressure  
DP-90.1

#### Specifications:

- Maximum Flow: 9 gpm @ 550 rpm, 10.6 gpm @ 650 rpm
- Maximum Pressure: 580 psi
- Maximum Speed: 650 rpm
- Maximum Power: 4.0 hp
- Weight: 17 lbs.
- Diaphragms: 3
- Suction Hose Diameter: 1" Hose
- Discharge Hose Diameter: 1/2" NPT
- Max Temperature: 140°F
- Lubricating Oil Type: 30 SAE
- Can be PTO, gasoline engine, or electric motor driven

### Transfer Pumps- **Standard 2 Year Warranty & Wet Seal**



**2" Gas Cast Iron Pump**

- 5 hp, Honda Engine
  - 152 GPM
  - Self Priming
  - Wet Seal Can Be Ran Dry
  - 2 Year Warranty
- SP-3220-G5H**



**3" Gas Cast Iron Pump**

- 13 hp Honda Engine w/ Electric Start
  - 308 GPM
  - Self Priming
  - Wet Seal Can Be Ran Dry
  - 2 Year Warranty
- SP-3320-G13H**



**3" Electric Cast Iron Pump**

- 10 hp, 1 Phase Electric TEFC
  - 308 GPM
  - 3" Self Priming
  - Wet Seal Can Be Ran Dry
  - 2 Year Warranty
- SP-3320-E10TB-1**

Call for Pricing



121

Pumps



## CDS-John Blue Pumps

### Variable Rate & Direct Hydraulic Drive Kits

Apply your liquid fertilizer with the best pump for the job while doing it easily with your hydraulic system. You don't need to buy new equipment to benefit from Variable Rate Technology. A great feature of the CDS-John Blue Piston Pump, with the Variable Rate Hydraulic Drive Kit (VRH), is that you can use it on your current equipment - planters, drills, strip tills and liquid applicators. Regardless if your pump is 40 years old or new, the VRH Kits will mount to your pump (LF, L, LM and NGP series piston pumps). You can have tomorrow's technology today.

CDS-John Blue now offers a lower cost, more compact solution for variable rate piston pump drives. We have recently introduced a Direct Hydraulic Drive for Piston Pumps. Growers can supply their own SAE A 2-bolt motor or a hydraulic motor/PWM manifold kit is available from CDS-John Blue Company. These Direct Hydraulic Drives are available for single and double piston pumps.

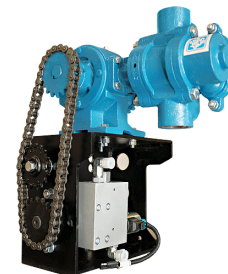
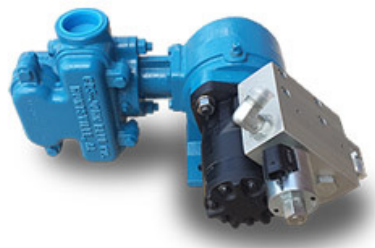
We have bar mount kits and direct drive kits to fit most common configurations. Our JD series fits **John Deere**® and the PWM (pulse width modulation) series is for **Raven**®, **Ag Leader**®, **Dickey-John**®, plus others, and can be used for variable rate and sectional shut-off as desired. The MAN (manual) series lets you use your tractors' hydraulics for a simple hydraulic driven system.

#### Variable Rate Hydraulic Drive Kit Features:

- Base Kit to add variable rate capacity to a CDS-John Blue Piston Pump for your planter or applicator. Other required off-the-shelf components to complete the kit are detailed in the instructions.
- Existing pumps can be easily converted to variable rate and sectional shut-off.
- A piston pump allows for quick and stable adjustment to application rates within a fraction of a second using this technology.
- With a piston pump your application rates will not change with the temperature or lack of head pressure.
- Sturdy mounting bracket attaches to the side or top of the machine's bar.
- Two types of flow control valves (servo or PWM) are available based on the kit you select.
- Hydraulic 2-way bypass valve turns pump and liquid flow on and off.
- Hydraulic motor requires 10 GPM to run the piston pump at maximum rpm, but the system can be used at lower GPM as the specific application allows.
- The manual speed drive system allows you to mount your pump anywhere on the machine and set the pump at a constant speed.
- The manual speed drive can also be used with other brands of hydraulic flow control valves in order to interface with controllers that are not listed below.
- "Bracket only kits" allow the use of the **Precision Planting**® motor, **Dickey-John** motor and **others**.

#### Direct Hydraulic Drive Piston Pump Features

- Lower cost and more compact solution for variable rate piston pump drives.
- Users can supply their own SAE A 2-bolt motor or a hydraulic motor/PWM manifold kit is available from CDS-John Blue Company, model number 116205-91.
- Available for the following piston pumps: NGP-4055-HYF, NGP-6055-HY, NGP-6055-HYF, NGP-7055-HY and NGP-7055-HYF.



Owensboro, KY  
270.684.4202

Russellville, KY  
270.725.8948

Greensburg, IN  
812.222.1220

Mt. Vernon, IL  
618.847.0283

## CDS-John Blue Pumps



### Ground Driven Piston Pumps

#### NGP-4055-F Piston Pump

##### Specifications:

- Single Piston - Double Acting
- Stroke - Variable
- Rated Flow - 10.2 GPM
- Rated Pressure - 120 PSI
- Rated Speed - 450 RPM
- Inlet & Outlet - 1" FPT & 200 Flange
- \*Equivalent to LM-1255 Series

#### NGP-7055 Piston Pump

##### Specifications:

- Single Piston - Double Acting
- Stroke - Variable
- Rated Flow - 34.2 GPM
- Rated Pressure - 120 PSI
- Rated Speed - 450 RPM
- Inlet & Outlet - 1 1/2" FPT
- \*Equivalent to LM-4450 Series

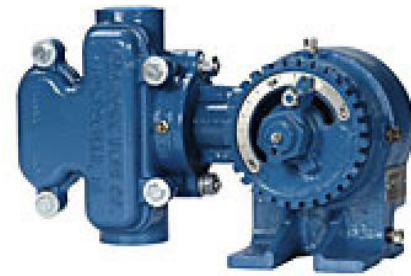
#### NGP-6055 Piston Pump

##### Specifications:

- Single Piston - Double Acting
- Stroke - Variable
- Rated Flow - 21.0 GPM
- Rated Pressure - 120 PSI
- Rated Speed - 450 RPM
- Inlet & Outlet - 1 1/2" FPT
- \*Equivalent to LM-2450 Series



NGP-6055



NGP-7055

#### NGP-8055 Piston Pump

##### Specifications:

- Double Piston - Double Acting
- Stroke - Variable
- Rated Flow - 42 GPM
- Rated Pressure - 120 PSI
- Rated Speed - 450 RPM
- Inlet & Outlet - 1 1/2" FPT



NGP-8055

#### NGP-9055 Piston Pump

##### Specifications:

- Double Piston - Double Acting
- Stroke - Variable
- Rated Flow - 68.4 GPM
- Rated Pressure - 120 PSI
- Rated Speed - 450 RPM
- Inlet & Outlet - 1 1/2" FPT
- \*Equivalent to LM-4950 Series



NGP-9055

Call for Pricing



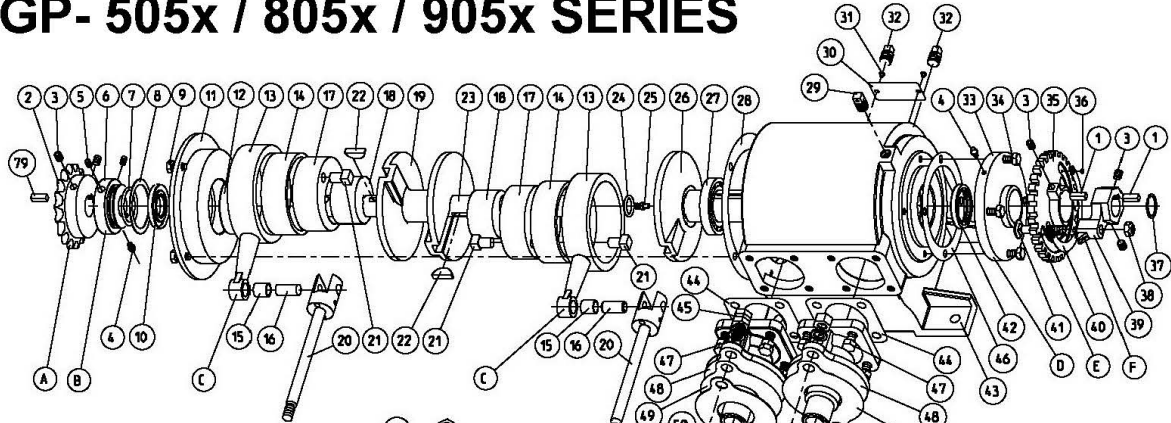
123

Pumps



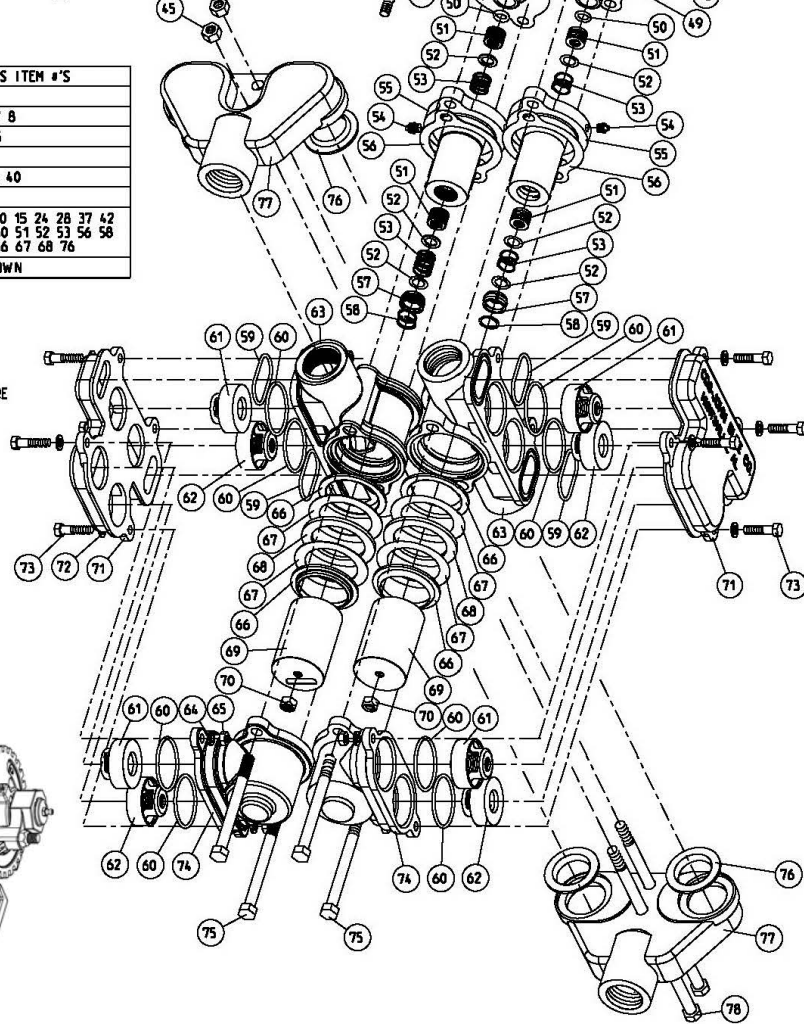
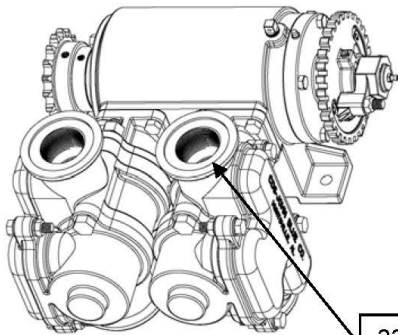


# NGP- 505x / 805x / 905x SERIES



ITEM	DESCRIPTION	INCLUDES ITEM #'S
A	SPROCKET	2 3
B	SPACER	4 5 6 7 8
C	CONNECTING ROD	13 14 15
D	FLANGE COVER	4 33
E	SETTING HUB	3 35 36 40
F	SETTING POINTER	3 39
G	GASKET KIT	7 8 10 15 24 28 37 42 44 49 50 51 52 53 56 58 59 60 66 67 68 76
H	OPERATORS KIT	NOT SHOWN

- G — GASKET KIT
- H — OPERATORS KIT
  - MANUAL
  - WRENCH
  - SLIDE CHART
  - MOUNTING HARDWARE



**220 FLANGE ADAPTERS:**

- CAST IRON PUMPS USE 115701-02FLG OR 115601-02FLG ON "DR" PUMPS WITHOUT MANIFOLD
- STAINLESS AND MANIFOLDS USE 116083-01S SCREW-IN ADAPTERS



Owensboro, KY

270.684.4202

Russellville, KY

270.725.8948

Greensburg, IN

812.222.1220

Mt. Vernon, IL

618.847.0283

## PARTS LISTING – NGP- 505x / 805x / 905x SERIES

ITEM	PART DESCRIPTION	NGP-5050 PART #	NGP-8050 PART #	NGP-9050 PART #	ITEM	PART DESCRIPTION	NGP-5050 PART #	NGP-8050 PART #	NGP-9050 PART #
1	KEY	L-1020	L-1020	L-1020	55	STUFFING BOX	116070-01	115790-01	115690-01
2	SPROCKET RC50-18T	112661-01	112661-01	112661-01	-S	STAINLESS	N/A	115790-01S	115690-01S
-K	NO SPROCKET	NOT USED	NOT USED	NOT USED	56	INBOARD CYL. GASK.	116076-01	115710-01	115710-01
-R	SPROCKET RC40-18T	113905-01	113905-01	113905-01	-U	FUMIGANT	N/A	104826-02	104826-02
3	5/16x3/8 SETSCREW	90532	90532	90532	57	STUFF. BOX INSERT	116068-01	L-1031-2	L-1031-2
4	GREASE FITTING	H-28	H-28	H-28	-S	STAINLESS	NOT USED	NOT USED	NOT USED
5	5/16x3/8 SETSCREW	90532	90532	90532	58	PACKING - SNAP RING	112698-01	L-1042	L-1042
6	SPROCKET SPACER	115625-01	115625-01	115625-01	-S	STAINLESS AND FUM.	N/A	116210-01	116210-01
7	O-RING	S-316	S-316	S-316	59	O-RING	S-316	S-316	115604-01
8	THRUST WASHER	115626-01	115626-01	115626-01	-S	STAINLESS	N/A	104824-01	115612-01
9	5/16x1 HEX BOLT	90637	90637	90637	-U	FUMIGANT	N/A	104824-01	115612-01
10	OIL SEAL	115621-01	115621-01	115621-01	60	O-RING	S-316	L-3031	A-2848
11	COVER PLATE	115723-01	115723-01	115623-01	-S	STAINLESS	N/A	114768-01	114870-01
12	BEARING	L-3019	L-3019	L-3019	-U	FUMIGANT	N/A	114768-01	114870-01
13	CONNECTING ROD	L-1008-A	L-1008-A	113630-01	61	DISCHARGE VALVE	116127-91	115707-91	115607-91
14	JOURNAL BEARING	L-928	L-928	113629-01	62	SUCTION VALVE	116126-91	115706-91	115606-91
15	ROD BUSHING	113588-01	113588-01	113588-01	63	INBOARD CYLINDER	N/A	115701-02	115601-02
16	ROD PIN	105895-01	105895-01	105895-01	-F	FLANGED	116071-01	115701-02FLG	115601-02FLG
17	ECCENTRIC - OUTER	L-1013-A	L-1013-A	113633-01	-S	STAINLESS	N/A	115701-02S	115601-02S
18	ECCENTRIC - INNER	L-1015	L-1015	L-3017	64	3/8 LOCK WASHER	93024	93024	93024
19	TRANSFER SLEEVE	115783-01	115783-01	115683-01	-S	STAINLESS	N/A	93025	93025
20	PISTON ROD ASM	116078-91	115712-91	105900-91	65	3/8 HEX NUT	92024	92024	92024
21	ECCENTRIC PIN	112686-01	112686-01	L-3004	66	PLUNGER – PACKING	112696-01	L-1045-V	L-1045-V
22	WOODRUFF KEY	108093-01	108093-01	A-4333	-B	BUNA PACKING	N/A	L-1045-A	L-1045-A
23	CRANKSHAFT	115681-01	115681-01	115681-01	67	PLUNGER – GASKET	112712-01	L-1098	L-1098
24	O-RING	L-1022	L-1022	L-1022	-U	FUMIGANT	N/A	114769-01	114769-01
25	GREASE ZERK	115647-01	115647-01	115647-01	68	PLUNGER – WASHER	112695-01	L-1044-A	L-1044-A
26	SETTING SLEEVE	115718-01	115718-01	115618-01	69	PLUNGER	112700-91	103290-91	112816-91
27	BEARING	L-1007-A	L-1007-A	L-1007-A	70	PLUNGER – LOCKNUT	92125	L-1047	L-1047
28	GASKET – DRIVE SIDE	L-1006	L-1006	L-3002	71	VALVE COVER	116073-01	115703-01	115603-01
29	VENT PLUG	S-350	S-350	S-350	-S	STAINLESS	N/A	115703-01S	115603-01S
30	NAME PLATE	111958-01	111958-01	111958-01	72	NOT USED			
31	DRIVE SCREW	A-3557	A-3557	A-3557	73	3/8 X 1-1/2 HEX BOLT	90911	90911	90911
32	OIL PLUG	C-431-B	C-431-B	C-431-B	-S	STAINLESS	N/A	90654	90654
33	FLANGE COVER	115724-01	115724-01	115724-01	74	OUTBOARD CYL.	116072-01	115702-01	115602-01
34	5/16 X 1 HEX BOLT	90637	90637	90637	-S	STAINLESS	N/A	115702-01S	115602-01S
35	SETTING HUB	115627-01	115627-01	115627-01	75	1/2 HEX BOLT	90704	90704	90705
36	SCREW	A-368	A-368	A-368	-S	STAINLESS (2 BOLTS)	N/A	90693/90687	90693/90687
37	SNAP RING	115791-01	115791-01	115791-01	76	MANIFOLD GASKET	N/A	112696-01	112696-01
38	3/8 SELF-LOCK NUT	A-3097	A-3097	A-3097	-DR	DUAL RATE (CYLS)	N/A	NOT USED	NOT USED
39	SETTING POINTER	115628-01	115628-01	115628-01	77	MANIFOLD	N/A	115796-01	115696-01
40	SETTING SCALE	115645-01	115645-01	115645-01	-S	STAINLESS	N/A	115796-01S	115696-01S
41	3/8x2-1/4 CARR.BOLT	115646-01	115646-01	115646-01	-DR	DUAL RATE (CYLS)	N/A	NOT USED	NOT USED
42	OIL SEAL	115622-01	115622-01	115622-01	78	1/2 HEX BOLT	N/A	115793-01	115693-01
43	CRANKCASE	115780-01	115780-01	115680-01	-DR	DUAL RATE (CYLS)	N/A	NOT USED	NOT USED
44	CROSSHEAD GASK.	115711-01	115711-01	115611-01	79	SPROCKET KEY	106493-01	106493-01	106493-01
45	1/2 HEX NUT	92029	92029	92029	A	RC50-18T SPROCKET	106532-01	106532-01	106532-01
-S	STAINLESS	N/A	92030	92030	-K	NO SPROCKET	NOT USED	NOT USED	NOT USED
46	GASKET– FLG COVER	L-1006	L-1006	L-1006	-R	RC40-18T SPROCKET	113907-01	113907-01	113907-01
47	HEX BOLT	90637	90637	90860	B	SPRKT. SPACER ASM	115624-91	115624-91	115624-91
48	CROSSHEAD GUIDE	116069-01	115700-01	115600-01	C	CONN. ROD ASM	L-1008-B	L-1008-B	113645-91
49	STUFF. BOX GASK.	116075-01	115610-01	115610-01	D	FLANGE COVER ASM	115725-91	115725-91	115725-91
-U	FUMIGANT	N/A	104828-02	104828-02	E	SET HUB ASM	115629-91	115629-91	115629-91
50	O-RING	116074-01	111943-01	111943-01	F	SET POINTER ASM	115630-91	115630-91	115630-91
51	PACKING "V" SET	L-1113	L-1109	L-1109	G	GASKET KIT	116135	115789	115689
-U	@ CROSSHD GUIDE	USE 4 "V"s	N/A	N/A	-S	GASKET KIT - SS	N/A	115789-S	115689-S
52	PACKING WASHER	112694-01	L-1041	L-1041	-U	GASKET KIT - FUM	N/A	115789-U	115689-U
53	PACKING SPRING	112697-01	L-1063	L-1063	H	OPERATORS KIT	115787	115787	115787
54	GREASE ZERK	H-30	H-30	H-30	N/S	SLIDE CHART	115698-91	115698-91	115698-91
					N/S	SETTING WRENCH	115631-01	115631-01	115631-01

Call for Pricing



125

Pumps



## PARTS LISTING – NGP- 405x / 605x / 705x Series

ITEM	PART DESCRIPTION	NGP-4050 PART #	NGP-6050 PART #	NGP-7050 PART #
1	KEY	L-1020	L-1020	L-1020
2	SPROCKET RC50-18T	112661-01	112661-01	112661-01
-K	NO SPROCKET	NOT USED	NOT USED	NOT USED
-R	SPROCKET RC40-18T	113905-01	113905-01	113905-01
3	5/16x3/8 SETSCREW	90532	90532	90532
4	GREASE FITTING	H-28	H-28	H-28
5	5/16x3/8 SETSCREW	90532	90532	90532
6	SPROCKET SPACER	115625-01	115625-01	115625-01
7	O-RING	S-316	S-316	S-316
8	THRUST WASHER	115626-01	115626-01	115626-01
9	5/16x1 HEX BOLT	90637	90637	90637
10	OIL SEAL	115621-01	115621-01	115621-01
11	COVER PLATE	115723-01	115723-01	115623-01
12	BEARING	L-3019	L-3019	L-3019
13	CONNECTING ROD	L-1008-A	L-1008-A	113630-01
14	JOURNAL BEARING	L-928	L-928	113629-01
15	ROD BUSHING	113588-01	113588-01	113588-01
16	ROD PIN	105895-01	105895-01	105895-01
17	ECCENTRIC - OUTER	L-1013-A	L-1013-A	113633-01
18	ECCENTRIC - INNER	L-1015	L-1015	L-3017
19	NOT USED			
20	PISTON ROD ASM	116078-91	115712-91	105900-91
21	ECCENTRIC PIN	L-3004	L-3004	L-3004
22	WOODRUFF KEY	108093-01	108093-01	A-4333
23	CRANKSHAFT	115614-01	115614-01	115614-01
24	O-RING	L-1022	L-1022	L-1022
25	GREASE ZERK	115647-01	115647-01	115647-01
26	SETTING SLEEVE	115718-01	115718-01	115618-01
27	BEARING	L-1007-A	L-1007-A	L-1007-A
28	GASKET – DRIVE SIDE	L-1006	L-1006	L-3002
29	VENT PLUG	S-350	S-350	S-350
30	NAME PLATE	111958-01	111958-01	111958-01
31	DRIVE SCREW	A-3557	A-3557	A-3557
32	OIL PLUG	C-431-B	C-431-B	C-431-B
33	FLANGE COVER	115724-01	115724-01	115724-01
34	5/16 X 1 HEX BOLT	90637	90637	90637
35	SETTING HUB	115627-01	115627-01	115627-01
36	SCREW	A-368	A-368	A-368
37	SNAP RING	115791-01	115791-01	115791-01
38	3/8 SELF-LOCK NUT	A-3097	A-3097	A-3097
39	SETTING POINTER	115628-01	115628-01	115628-01
40	SETTING SCALE	115645-01	115645-01	115645-01
41	3/8x2-1/4 CARR.BOLT	115646-01	115646-01	115646-01
42	OIL SEAL	115622-01	115622-01	115622-01
43	CRANKCASE	115720-01	115720-01	115620-01
44	CROSSHEAD GASK.	115711-01	115711-01	115611-01
45	1/2 HEX NUT	92029	92029	92029
-S	STAINLESS	N/A	92030	92030
46	GASKET- FLG COVER	L-1006	L-1006	L-1006
47	HEX BOLT	90637	90637	90860
48	CROSSHEAD GUIDE	116069-01	115700-01	115600-01
49	STUFF. BOX GASK.	116075-01	115610-01	115610-01
-U	FUMIGANT	N/A	104828-02	104828-02
50	O-RING	116074-01	111943-01	111943-01
51	PACKING V' SET	L-1113	L-1109	L-1109
-U	@ CROSSHD GUIDE	USE 4 "V"s	N/A	N/A
-U	FUMIGANT	N/A	L-1109-U	L-1109-U
52	PACKING WASHER	112694-01	L-1041	L-1041
53	PACKING SPRING	112697-01	L-1063	L-1063
54	GREASE ZERK	H-30	H-30	H-30

ITEM	PART DESCRIPTION	NGP-4050 PART #	NGP-6050 PART #	NGP-7050 PART #
55	STUFFING BOX	116070-01	115790-01	115690-01
-S	STAINLESS	N/A	115790-01S	115690-01S
56	INBOARD CYL. GASK.	116076-01	115710-01	115710-01
-U	FUMIGANT	N/A	104826-02	104826-02
57	STUFF. BOX INSERT	116068-01	L-1031-2	L-1031-2
-S	STAINLESS	NOT USED	NOT USED	NOT USED
58	PACKING - SNAP RING	112698-01	L-1042	L-1042
-S	STAINLESS AND FUM.	N/A	116210-01	116210-01
59	O-RING	S-316	S-316	115604-01
-S	STAINLESS	N/A	104824-01	115612-01
-U	FUMIGANT	N/A	104824-01	115612-01
60	O-RING	S-316	L-3031	A-2848
-S	STAINLESS	N/A	114768-01	114870-01
-U	FUMIGANT	N/A	114768-01	114870-01
61	DISCHARGE VALVE	116127-91	115707-91	115607-91
62	SUCTION VALVE	116126-91	115706-91	115606-91
63	INBOARD CYLINDER	N/A	115701-02	115601-02
-F	FLANGED	116071-01	115701-02FLG	115601-02FLG
-S	STAINLESS	N/A	115701-02S	115601-02S
64	3/8 LOCK WASHER	93024	93024	93024
-S	STAINLESS	N/A	93025	93025
65	3/8 HEX NUT	92024	92024	92024
66	PLUNGER – PACKING	112696-01	L-1045-V	L-1045-V
-B	BUNA PACKING	N/A	L-1045-A	L-1045-A
67	PLUNGER – GASKET	112712-01	L-1098	L-1098
-U	FUMIGANT	N/A	114769-01	114769-01
68	PLUNGER – WASHER	112695-01	L-1044-A	L-1044-A
69	PLUNGER	112700-91	103290-91	112816-91
70	PLUNGER – LOCKNUT	92125	L-1047	L-1047
71	VALVE COVER	116073-01	115703-01	115603-01
-S	STAINLESS	N/A	115703-01S	115603-01S
72	NOT USED			
73	3/8 X 1-1/2 HEX BOLT	90911	90911	90911
-S	STAINLESS	N/A	90654	90654
74	OUTBOARD CYL.	116072-01	115702-01	115602-01
-S	STAINLESS	N/A	115702-01S	115602-01S
75	1/2 HEX BOLT	90704	90704	90705
-S	STAINLESS (2 BOLTS)	N/A	90693/90687	90693/90687
76	NOT USED			
77	NOT USED			
78	NOT USED			
79	SPROCKET KEY	106493-01	106493-01	106493-01
A	RC50-18T SPRKT ASM	106532-01	106532-01	106532-01
-K	NO SPROCKET	NOT USED	NOT USED	NOT USED
-R	RC40-18T SPRKT ASM	113907-01	113907-01	113907-01
B	SPRKT. SPACER ASM	115624-91	115624-91	115624-91
C	CONN. ROD ASM	L-1008-B	L-1008-B	113645-91
D	FLANGE COVER ASM	115725-91	115725-91	115725-91
E	SET HUB ASM	115629-91	115629-91	115629-91
F	SET POINTER ASM	115630-91	115630-91	115630-91
G	GASKET KIT	116134	115788	115688
-S	GASKET KIT - SS	N/A	115788-S	115688-S
-U	GASKET KIT - FUM	N/A	115788-U	115688-U
H	OPERATORS KIT	115787	115787	115787
N/S	SLIDE CHART	115698-91	115698-91	115698-91
N/S	SETTING WRENCH	115631-01	115631-01	115631-01



Owensboro, KY

270.684.4202

Russellville, KY

270.725.8948

Greensburg, IN

812.222.1220

Mt. Vernon, IL

618.847.0283



# LM-4950 SERIES PUMP PARTS LIST

REF. NO.	PART NO.	ITEM DESCRIPTION	4950 QTY.	4955 QTY.	4959 QTY.	REF. NO.	PART NO.	ITEM DESCRIPTION	4950 QTY.	4955 QTY.	4959 QTY.
1	92037	5/8" JAM NUT	2	0	2	63	105932-91	STROKE SETTING FLANGE	1	1	1
2	113628-01	THROW-OUT YOKE	1	0	1	64	A-368	SETTING SCALE SCREW	3	3	3
3	92014	#10 SQUARE NUT	1	0	0	65	115630-91	STROKE SETTING ARM	1	1	1
4	A-697	WASHER	2	0	0	66	90532	5/16 X 3/8 SET SCREW	3	3	3
5	A-2762	CAM ROLLER	2	0	0	67	H-30	GREASE FITTING	3	3	3
6	A-2763	ROLL PIN	1	0	0	68	93024	3/8 LOCK WASHER	4	4	4
7	90953	2-1/2 RD HD SCREW	1	0	0	69	93011	3/8 FLAT WASHER	4	4	4
8	L-3006	THROW-OUT ROD	1	0	0	70	A-147	LEG MOUNTING PAD	4	4	4
9	90655	3/8 X 1-1/2 HEX BOLT	5	4	4	71	C-431-B	PLUG	3	3	3
10	F-48	THROW-OUT LEVER SPRING	1	0	0	72	105895-01	CROSSHEAD PIN	2	2	2
11	94010	5/32 X 1 COTTER PIN	1	0	0	73	105900-91	PISTON ROD ASSEMBLY	2	2	2
12	90653	3/8 X 1-1/4 HEX BOLT	2	0	1	74	L-3052	CROSSHEAD, GUIDE GASKET	2	2	2
13	L-3064	THROW-OUT LEVER	1	0	0	75	111935-01	CROSSHEAD GUIDE	2	2	2
14	92024	3/8 HEX NUT	14	12	12	76	111943-01	O-RING	2	2	2
***14	T-2010	3/8 NUT-SS	14	12	12	77	L-1109	ROD VEE PACKING SET	4	4	4
15	A-50	HANDWHEEL	1	0	1	78	L-1041	WASHER	6	6	6
16	HA-57	SAFETY CLUTCH SPRING	1	0	0	79	L-1063	PACKING SPRING	4	4	4
16A	108907-01	SAFETY CLUTCH SPRING	0	0	1	80	L-3074	STUFFING BOX GASKET	2	2	2
17	A-260	CLUTCH	1	0	0	81	111937-01	OUTBOARD STUFFING BOX	2	2	2
17A	108905-91	CLUTCH HYDRAULIC	0	0	1	**81	111937-01S	OUTBOARD STUFFING BOX, SS	2	2	2
18	105373-01	CLUTCH COLLAR	2	0	2	82	115134-01	GASKET	2	2	2
19	A-116	OLITE BUSHING	6	2	5	83	L-1042	RETAINING RING	2	2	2
20	H-28	GREASE FITTING	1	0	0	84	L-1031-2	STUFFING BOX INSERT	2	2	2
21	L-4008-A	SPROCKET CARRIER	0	0	1	85	111938-01	INBOARD CYLINDER	2	2	2
21A	108906-01	SPROCKET CARRIER	1	0	1	**85	111938-01S	INBOARD CYLINDER, SS	2	2	2
22	L-4007	18T SPROCKET	3	0	3	86	112816-91	PISTON PLUNGER ASSEMBLY	2	2	2
23	90993	1/4 X 1-1/2 SOCKET HD BOLT	16	16	16	87	L-1047	SELF-LOCKING NUT	2	2	2
24	90637	5/16 X 1 HEX BOLT	1	0	1	88	L-1045-V	FLANGE PLUNGER PACKING	4	4	4
25	L-4249	DRIVE PIN	1	0	0	89	L-1098	PACKING ADJUSTMT. GASKET	4	4	4
26	A-2758-A	PAWL	1	0	0	90	L-1044-A	FLANGE PACKING WASHER	2	2	2
27	A-2757-A	THROW-OUT CAM	1	0	0	91	C-3519	2" THREAD PROTECTOR	1	1	1
28	L-3007	THROW-OUT BRACKET	1	0	0	92	92029	1/2 HEX NUT	2	2	2
29	114165-01	RIGHT-HAND TORSION SPRING	1	0	1	93	111939-01	SUCTION MANIFOLD	1	1	1
30	L-4009	RETAINING COLLAR	1	1	1	**93	111939-01S	SUCTION MANIFOLD, SS	1	1	1
31	110155-01	WASHER, NYLON	1	1	1	94	109112-92	SUCTION VALVE	4	4	4
32	L-1018	OIL SEAL	1	1	1	95	A-2848	VALVE O-RING	8	8	8
33	L-3023	BEARING HOUSING	1	1	1	96	111940-01	OUTBOARD CYLINDER	2	2	2
34	L-3021	BEARING HOUSING GASKET	1	1	1	**96	111940-01S	OUTBOARD CYLINDER, SS	2	2	2
35	L-3019	CRANKSHAFT BEARING	1	1	1	97	91051	3/8 X 8 HEX HEAD BOLT	8	8	8
36	111958-01	NAME PLATE	1	2	2	**97	91072	3/8-16 X 5-1/2 BOLT, SS	8	8	8
37	90634	5/16 X 1/2 BOLT	1	0	0	98	109113-92	DISCHARGE VALVE	4	4	4
38	L-4014	SPRING ANCHOR	1	0	2	99	111936-01	DISCHARGE MANIFOLD	1	1	1
39	90636	5/16 X 3/4 BOLT	1	1	1	**99	111936-01S	DISCHARGE MANIFOLD, SS	1	1	1
40	113634-01	CRANKCASE	1	1	1	100	90711	1/2-13 X 9-1/2 Bolt	2	2	2
41	S-350	VENT PLUG	1	1	1	**100	90710	1/2-13 X 8-1/2 Bolt	2	2	2
42	L-3020	CRANKSHAFT DISC	2	2	2	101	L-3115	1 1/2 THREAD PROTECTOR	1	1	1
43	113645-91	CONNECTION ROD	2	2	2	102	106532-01	18T SPROCKET	0	1	0
44	113629-01	BEARING CRANK PIN	2	2	2	103	90986	3/8 X 5/8 SET SCREW	0	4	0
45	113633-01	LARGE ECCENTRIC	2	2	2	104	110147-01	SPACER	0	1	0
46	L-3017	SMALL ECCENTRIC	1	1	1	105	115031-01	CRANKSHAFT	0	1	0
47	L-3018	STROKE TRANSFER SLEEVE	2	2	2		115122-01	SPACER-ELEC. CLUTCH SHOULDER	0	1	0
48	113588-01	CONNECTING ROD BUSHING	3	3	3		115125-01	1/4" X 1-1/2" DOWEL PIN	0	1	0
49	L-3004	ECCENTRIC PIN	1	1	1	106	114708-91	THROW-OUT ROD ASSEMBLY	0	0	1
50	L-3056	STROKE LOCATING SLEEVE	2	2	2	107	93016	FLAT WASHER	0	0	1
51	L-1020	SETTING ARM KEY	2	0	2	108	105448-01	BACK-UP RING	0	0	1
52	A-261	CLUTCH KEY	1	0	1	109	A-3776	O-RING	0	0	1
53	L-3013	CRANKSHAFT	1	0	1	110	105447-01	BODY	0	0	1
54	A-4333	KEY, WOODRUFF	1	1	1	111	105452-01	BACK-UP RING	0	0	1
55	L-1022	CRANKSHAFT O-RING	1	1	1	112	105461-01	O-RING	0	0	1
56	L-1007-A	BEARING, LOCATING SLEEVE	1	1	1	113	105449-01	PISTON	0	0	1
57	L-1021	OIL SEAL	1	1	1	114	105465-01	BACK-UP RING	0	0	2
58	L-3002	COVER PLATE GASKET	1	1	1	115	A-2849	O-RING	0	0	1
59	L-3001	COVER PLATE	1	1	1	116	105463-01	CYLINDER	0	0	1
60	91017	3/8 SQUARE HEAD BOLT	1	1	1	117	105500-01	BODY O-RING	0	0	1
61	114763-01	PUMP SETTING SCALE	1	1	1	118	93010	5/16 FLAT WASHER	0	0	4
62	A-3097	3/8 SELF-LOCKING NUT	0	1	0	119	93023	5/16 LOCK WASHER	0	0	2
***	115159-91	ELECTRIC CLUTCH KIT	1	1	1	120	92020	5/16 HEX NUT	0	0	2
						121	105501-01	STRAP			2

\*\*\*Retro-fit Electric Clutch Kit may be adapted to a standard LM-4955 Pump with a serial number after #4800 or with the suffix "-E." \*\*Parts unique to the LM-4950 Stainless Series only.

Call for Pricing



127

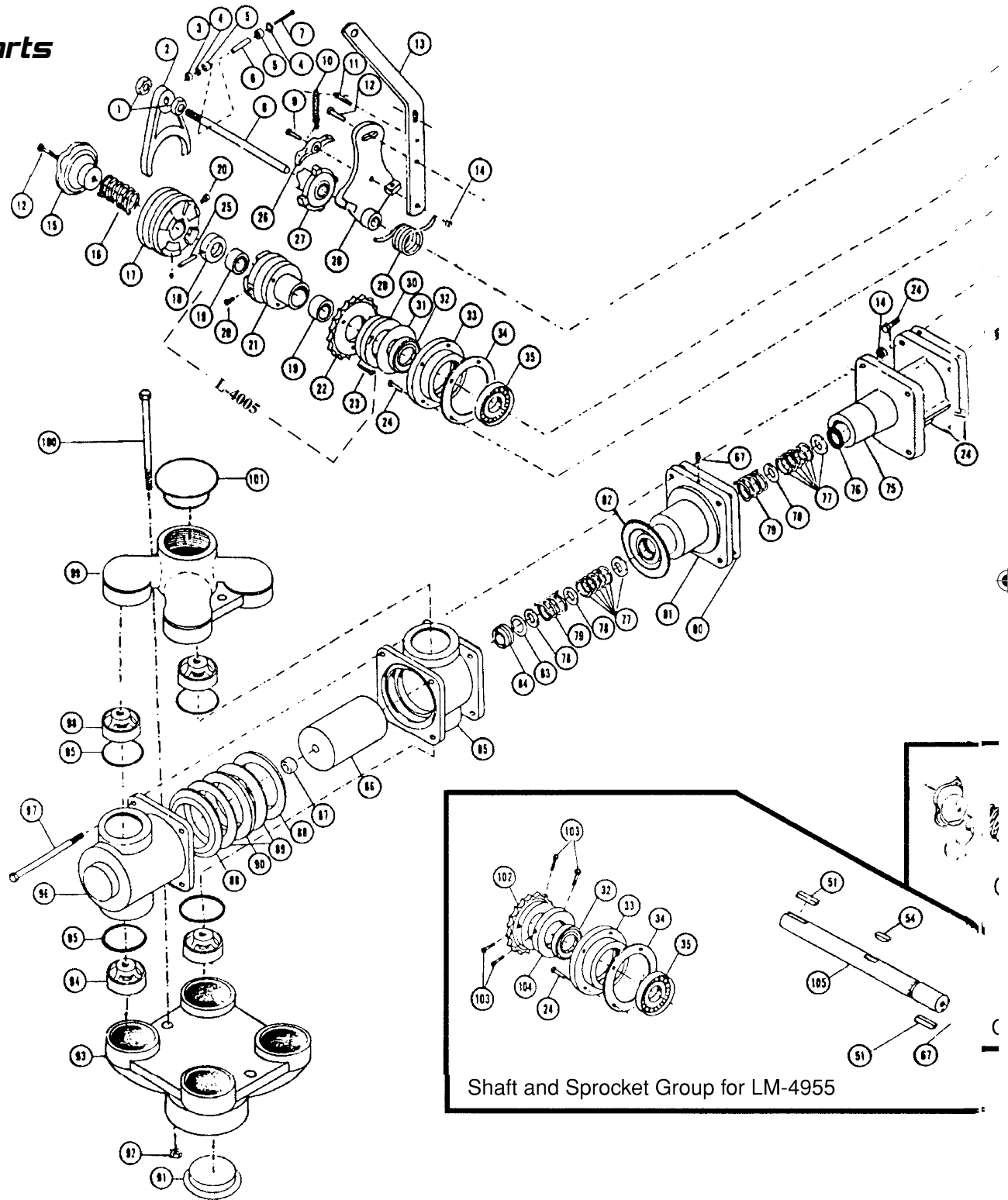
Pumps





# Discontinued L & LM Pump Parts

## L-4950 Parts



Shaft and Sprocket Group for LM-4955



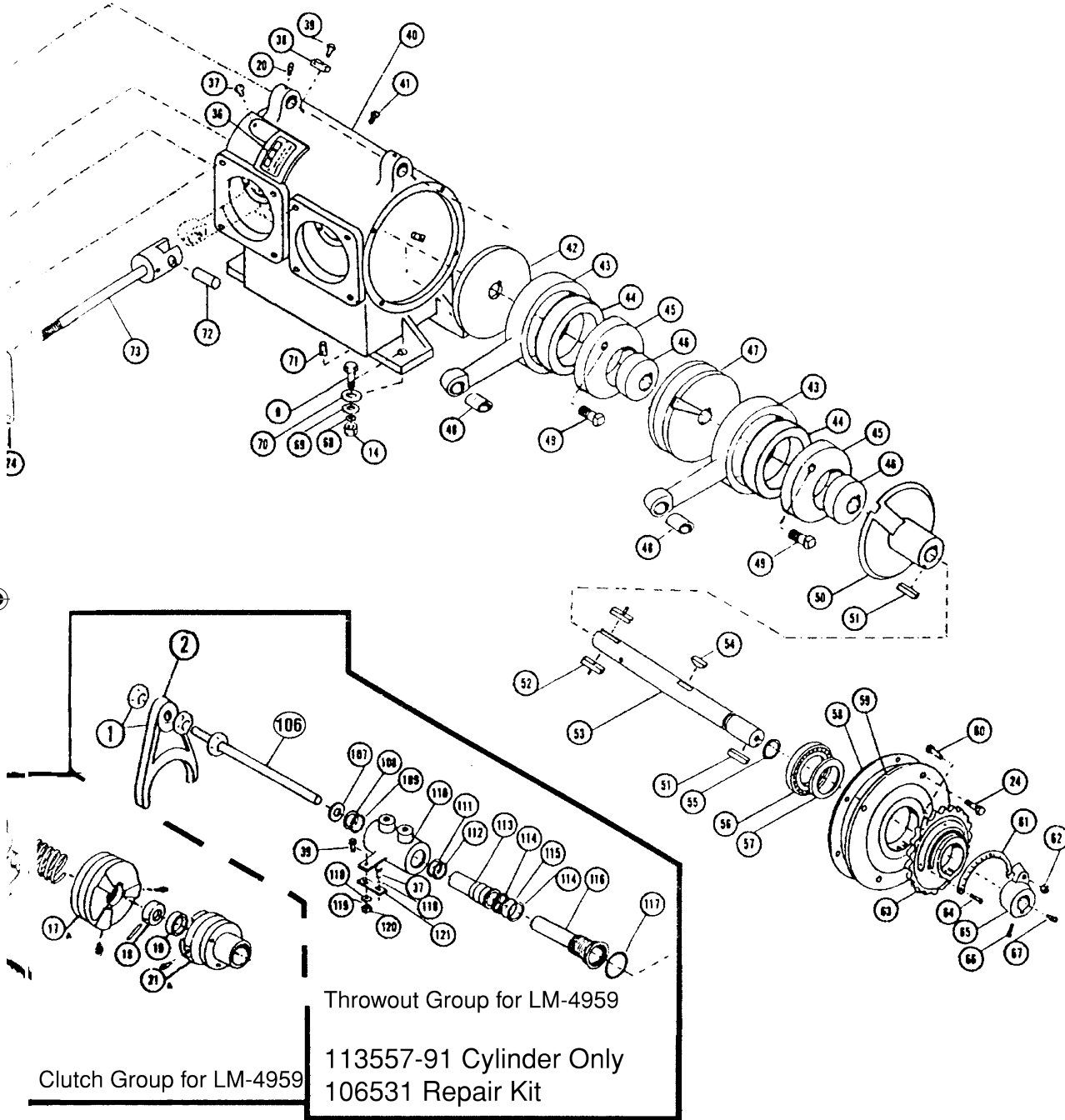
Owensboro, KY  
270.684.4202

Russellville, KY  
270.725.8948

Greensburg, IN  
812.222.1220

Mt. Vernon, IL  
618.847.0283

# Discontinued L & LM Pump Parts



Pump Repair Kit – 111947  
Pump Setting Wrench – L-3092-AS  
Pump Setting Chart – 105913-91

Call for Pricing



129

Pumps

## Dura-Meter & Pumps with Accessories

### Dura-Meter™



- Impact resistant Lexan faceplate
- 100% moisture-sealed circuitry
- Menu driven backlit display
- Plumbed for straight & 90° applications
- Quick List reference chart
- Easy calibration
- Extended battery life; 4 "AAA" batteries

**DP-3000\***  
\*E for EPDM or V for Viton

SPECIFICATIONS	
Operating Temp	-10°F to 130°F
Flow Rate	2 - 22 GPM
Accuracy	± .5%
Maximum Pressure	40 PSI
Backlit Display	Yes

### Dura-Pump™



- Self priming diaphragm pump with internal bypass
- Motor thermally protected from overheating
- 30 minute duty cycle
- Suction port has 2" MPT and 1" FPT
- Outlet has 1" FPT
- Easily field serviceable
- Able to handle low & high viscosity liquids

**DP-4012\* 12 volt DP-4015\* 110 volt**  
\*E for EPDM or V for Viton

SPECIFICATIONS	
Max Flow	15 GPM
Max Pressure	22 PSI
Amps	12V=18.5 110V=2.0
Power Cord	12V=20ft 110V=6.5ft
Verticle Suction Lift	Self-priming to 10ft

### Quick Caddy



- Premium highly portable system with built-in carry handle and rugged frame
- For use in multiple mounting applications on top of tote and ground applications
- Includes: Dura-Pump™, 1" x 5' suction hose, 1" x 12' discharge hose, hosebarbs, clamps, 2" camlock, ball valve nozzle, and optional Dura-Meter™

With Meter	Without Meter
<b>DPQM-4312* 12 volt</b>	<b>DPQ-4012* 12 volt</b>
<b>DPQM-4315* 110 volt</b>	<b>DPQ-4015* 110 volt</b>
*E for EPDM or V for Viton	

### Easy Caddy



- Can be mounted in 6 different configurations on a variety of tank/tote and drum types
- For use on top or side of tank or on ground
- Includes: Dura-Pump™, 1" x 5' suction hose, 1" x 12' discharge hose, hosebarbs, clamps, 2" camlock, reducer, nipple, ball valve nozzle, and optional Dura-Meter™

With Meter	Without Meter
<b>DPEM-4312* 12 volt</b>	<b>DPE-4012* 12 volt</b>
<b>DPEM-4315* 110 volt</b>	<b>DPE-4015* 110 volt</b>
*E for EPDM or V for Viton	

### Top Unload



- Top mount applications with 2" NPT bung and 1" telescoping downtube
- Includes: Dura-Pump™, 1" telescoping downtube, 1" x 12' discharge hose, hosebarbs, clamps, nipple, ball valve nozzle, and optional Dura-Meter™

With Meter	Without Meter
<b>DPTM-4312* 12 volt</b>	<b>DPT-4012* 12 volt</b>
<b>DPTM-4315* 110 volt</b>	<b>DPT-4015* 110 volt</b>
*E for EPDM or V for Viton	

### Bottom Unload



- Configured to be hard mounted at bottom of tank/tote
- Includes: Dura-Pump™, 2" camlock to direct attach to tote, 1" x 12' discharge hose, hosebarbs, clamps, nipple, ball valve nozzle, and optional Dura-Meter™

With Meter	Without Meter
<b>DPBM-4312* 12 volt</b>	<b>DPB-4012* 12 volt</b>
<b>DPBM-4315* 110 volt</b>	<b>DPB-4015* 110 volt</b>
*E for EPDM or V for Viton	





Owensboro, KY  
270.684.4202

Russellville, KY  
270.725.8948

Greensburg, IN  
812.222.1220

Mt. Vernon, IL  
618.847.0283



### Dura-ABS™ Auto Batch System



- Manual or automatic operation
- Optimized for repeatable batching; returns to the last volume amount dispensed
- Includes Dura-Pump and Dura-Meter
- Available in 12 Volt or 110 Volt, and EPDM or Viton options

### Specialty Systems Available



Monsanto Tanks



Snyder/Gem Cap Tanks



N-Serve

### Dura Products 2 Year Warranty

#### Covered Under Warranty

- Pump is no longer pumping
- Pump is leaking even when chemical compatibility has been met
- Workmanship defects or failures
- Meter electrical failure or moisture ingress

#### Not Covered Under Warranty

- Broken meters or displays
- Cracked or broken housings
- Cartridge or seal failure due to chemical incompatibility
- Misuse or abuse

### Parts & Repair Kits



Cartridge w/ O-Ring & Bottom Gasket  
DP-P4004A-E (EPDM)  
DP-P4004A-V (Viton)



Cartridge w/ O-Ring & Bottom Gasket  
DP-P4004A-E (EPDM)  
DP-P4004A-V (Viton)



AG Chemical Meter Face Plate  
DP-MFP01



Meter Body  
DP-PMB3000E (EPDM)  
DP-PMB3000V (Viton)

Pumps

Call for Pricing



131



# DURA PRODUCTS AG CHEMICAL CHART

COMPOUND	EPDM	Viton®	Silicone	COMPOUND	EPDM	Viton®	Silicone
2,4-D Ester		●		Lexar® EZ	●		
Accord & Accord XRT II	●	●	●	Liberty		●	
Atrazine	●	●		Lorsban 4E		●	
Balance Flexx	●	●		Lorsban Advanced		●	
Callisto® 480SC	●			Lumax® EZ	●		
Cappreno	●	●		Matador		●	
Degree Xtra®	●	●		Max-In® Ultra ZMB	●	●	
Dicamba/Xtendimax	●			MSO, Crop Oil, Oil Based		●	
DiFlexx Duo	●	●		Nitrogen based		●	
Duramax, Durango	●	●	●	N-Serve 24		●	
Engenia	●			Parity		●	
Enlist Duo	●	●	●	Prosaro	●	●	
EverGol	●	●		RAXILPro	●	●	
Foliars		●		Rely 280	●	●	
ForeFront	●			Resicore			●
FulTime® NXT		●		Roundup®	●	●	
Fungicides		●		Shredder™ E-99		●	
Garlon 3A	●		●	Stratego	●		
Gaucho 600	●	●		Stratego YLD	●		
Gramoxone/Paraquat		●		Stylet-Oil		●	
Grazon P+D	●			SureStart® & SureStart II			●
GrazonNext	●			Surpass EC	●		●
Halex® GT	●			Tacoma		●	
Huskie		●		TopNotch	●		
Instinct®			●	Tordon 22K	●		
Keystone			●	Warrant/Paraquat		●	
Keystone LA			●	Wolverine AdVANCED		●	
Laudis	●	●					

The Dura Products Chemical Compatibility Chart **should be considered as a guide only** due to the many variables which may affect the compatibility of materials. This guide is based on the most recent information obtained from a variety of suppliers and chemical producers and is believed to be accurate. Actual decisions on materials used need to be tested and evaluated by the customer for each specific application. The responsibility of proper chemical compatibility of equipment and material used is the full responsibility of the customer. Dura Products does not warrant product damaged by non-compatibility.

For help with the proper selection of pump for your application needs, please call 855-502-3872



**DURA PRODUCTS**  
Technology with Lasting Value



Owensboro, KY  
270.684.4202

Russellville, KY  
270.725.8948

Greensburg, IN  
812.222.1220

Mt. Vernon, IL  
618.847.0283

## Transfer Pumps



### 2" PowerPro Cast Iron Centrifugal Transfer Pump

- 6.5 HP
- 170 GPM
- 42 PSI
- 3600 RPM



1532C-65P

### 2" PowerPro Self-Priming Polypro Transfer Pump

- 6.5 HP
- 200 GPM
- 58 PSI



1542P-55P

### 3" PowerPro Cast Iron Electric Centrifugal Transfer Pump

- 13 HP
- 330 GPM
- 68 PSI
- 3600 RPM



1533C-13ESP

## Low Pressure Diaphragm Pumps



9910-D70

PART#	DESCRIPTION	GPM	PSI	MAX RPM	INLET	OUTLET	SHAFT
9910-D70	2 Diaphragm Pump	19	290	550	1 1/4"	1"	

## Medium Pressure Diaphragm Pumps



9910-D30



9910-D252

PART#	DESCRIPTION	GPM	PSI	MAX RPM	INLET	OUTLET	SHAFT
9910-D252	2 Diaphragm Pump	6.1	363	650	3/4"	1/2"	3/4" Solid Keyed
9910-D252GRGI	2 Diaphragm Pump Semi-Hydraulic Pump	6.1	363	2800	3/4"	3/8"	3/4" Hollow
9910-D252GRGI58	2 Diaphragm Pump Semi-Hydraulic Pump	6.1	363	2800	3/4"	3/8"	5/8" Hollow
9910-D30	2 Diaphragm Pump	9	580	550	1"	1/2"	

Call for Pricing



133

Pumps



## Hydraulic Centrifugal Pumps



**9202C**



**9203C**



**9205C**



**9206C**

PART#	DESCRIPTION	GPM	PSI	RPM	INLET	OUTLET	SHAFT
9202C	Centrifugal Pump - Pedestal	105	170	6000	1 1/4"	1"	5/8"
9203C	Centrifugal Pump - Pedestal	140	170	6000	1 1/2"	1 1/4"	5/8"
9203C-R	Centrifugal Pump - Pedestal	140	170	6000	1 1/2"	1 1/4"	5/8"
9205C	Centrifugal Pump - Pedestal	180	190	4200	2"	1 1/2"	7/8"
9206C	Centrifugal Pump - Pedestal	225	80	4200	2"	1 1/2"	5/8"
3430-0332	Seal and O-Ring Repair Kit						
3430-0537	Seal and O-Ring Repair Kit (9205 Models)						
3430-0589	Life Guard © Silicon Carbide Seal Kit						
3430-0646	Life Guard © Silicon Carbide Seal Kit (9205 Models)						

## Pedestal Mount Centrifugal Pumps



**9302C**



**9303C**



**9305C**



**9306C**



**9307C**

PART#	DESCRIPTION	GPM	PSI	INLET	OUTLET
9302CT-GM1	2-3 GPM; Open/Closed Center System	63	105	1 1/4"	1"
9302C-HM1C	13 GPM; Open/Closed Center System	72	150	1 1/4"	1"
9302C-HM2C	6 GPM; Open/Closed Center System	65	96	1 1/4"	1"
9302C-HM4C	7 GPM; Open/Closed Center System	72	120	1 1/4"	1"
9303C-HM1C	13 GPM; Open/Closed Center System	114	130	1 1/2"	1 1/4"
9303C-HM2C	6 GPM; Closed Center System	97	95	1 1/2"	1 1/4"
9303C-HM3C	24 GPM; Large Open Center System	125	98	1 1/2"	1 1/4"
9303C-HM4C	7 GPM; Open/Closed Center System	115	93	1 1/2"	1 1/4"
9303C-HM5C	16 GPM; Open/Closed Center System	147	145	1 1/2"	1 1/4"
9305C-HM3C	19 GPM; Large Open Center System	182	160	2"	1 1/2"
9306C-HM1C	13 GPM; Open/Closed Center System	207	130	2"	1 1/2"
9306C-HM3C	24 GPM; Open/Closed Center System	214	135	2"	1 1/2"
9306C-HM5C	17 GPM; Open/Closed Center System	212	140	2"	1 1/2"
9307C-GM10	20 GPM; Open/Closed Center System - Silicon Carbide Seal	358	135	3"	2"
3430-0332	Seal & O-Ring Repair Kit				
3430-0500	Seal & O-Ring Repair Kit (9305 Models)				
3430-0589	Life Guard Silicon Carbide Seal Kit (9302 & 9303 Models)				
3430-0601	Life Guard Silicon Carbide Seal Kit (9305 Models)				

**Pumps**



Owensboro, KY  
270.684.4202

Russellville, KY  
270.725.8948

Greensburg, IN  
812.222.1220

Mt. Vernon, IL  
618.847.0283

## Gear-Driven Centrifugal Pumps

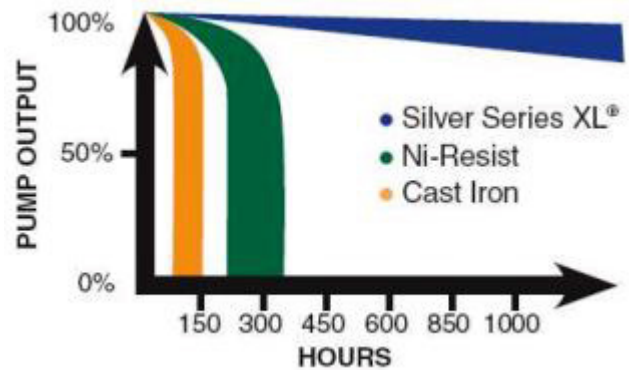


PART#	GPM	PSI	RPM	PTO OUTPUT
9006C-O	117	78	600	1 3/8" 540 RPM Female
9008C-O	110	75	1000	1 3/8" 1000 RPM Female
9016C-O	117	78	600	1" Solid Shaft
9018C-O	110	75	1000	1" Solid Shaft
9028C-O	110	75	1000	1 3/4" 1000 RPM Female

## Roller Pumps

Hypro roller pumps are the number one all-around choice by farmers throughout the world. The rollers (from 4 to 8, depending on the model) revolve inside the pump housing to force the spray solution through the outlet to the nozzle. Roller pumps have a low initial cost and are extremely versatile. They operate efficiently at PTO speeds of 540 and 1000 rpm and have a wide pressure range of up to 300 psi and flow rates of 2 to 74 gpm. Roller pumps are self priming and easily adapt to PTO or gas engine drives. Specific seal, roller and casting materials can be selected for compatibility with certain herbicides, pesticides, fungicides and fertilizers.

- Housing available in Cast Iron (C), Ni-Resist (N), or Silver Series XL® (XL)
- Ni-Resist is a high nickel content alloy for better corrosion resistance
- Silver Series XL® has a custom alloy that provides the best corrosion resistance and is Ready for use with Roundup®



## 4001 & 4101 Series 4-Roller Pumps



## 12VDC Motor-Driven 4-Roller Pumps



PART#	GPM	PSI	MAX RPM	SHAFT OUTPUT
4001N-EH	10.4	30	1900	1/2" Hollow Shaft
4001N-E2H	9.9	50	1600	1/2" Hollow Shaft
4001XL-EH	10.4	30	1900	1/2" Hollow Shaft
4001XL-E2H	9.9	50	1600	1/2" Hollow Shaft
4101N-EH	7.5	50	1900	1/2" Hollow Shaft
4101N-E2H	5.9	90	1600	1/2" Hollow Shaft
4101XL-EH	7.9	50	1900	1/2" Hollow Shaft
4101XL-E2H	5.9	90	1600	1/2" Hollow Shaft

PART#	GPM	PSI	MAX RPM	SHAFT OUTPUT
4001C	9.1	150	1800	5/8" Solid Shaft
4001C-H	9.1	150	1800	1/2" Hollow Shaft
4001N	9.1	150	1800	5/8" Solid Shaft
4001N-H	9.1	150	1800	1/2" Hollow Shaft
4001XL	9.1	150	1800	5/8" Solid Shaft
4001XL-H	9.1	150	1800	1/2" Hollow Shaft

PART#	GPM	PSI	MAX RPM	SHAFT OUTPUT
4101C	7.2	150	2600	5/8" Solid Shaft
4101C-H	7.2	150	2600	1/2" Hollow Shaft
4101N	7.2	150	2600	5/8" Solid Shaft
4101N-H	7.2	150	2600	1/2" Hollow Shaft
4101XL	7.2	150	2600	5/8" Solid Shaft
4101XL-H	7.2	150	2600	1/2" Hollow Shaft

Call for Pricing



135

Pumps





## Roller Pumps



### 6500 Series 6-Roller Pumps

PART#	GPM	PSI	MAX RPM	SHAFT OUTPUT
6500C	21.8	300	1200	5/8" Solid Shaft
6500N	21.8	300	1200	5/8" Solid Shaft
6500XL	21.8	300	1200	5/8" Solid Shaft



### 7560 Series 8-Roller Pumps

PART#	GPM	PSI	MAX RPM	SHAFT OUTPUT
7560C	22.5	300	1200	15/16" Solid Shaft
7560N	22.5	300	1200	15/16" Solid Shaft
7560XL	22.5	300	1200	15/16" Solid Shaft



### 7700 Series 7-Roller Pumps

PART#	GPM	PSI	MAX RPM	SHAFT OUTPUT
7700C	22.1	200	800	15/16" Solid Shaft
7700N	22.1	200	800	15/16" Solid Shaft
7700XL	22.1	200	800	15/16" Solid Shaft



### 1502 Series 6-Roller Pumps

PART#	GPM	PSI	MAX RPM	SHAFT OUTPUT
1502C	62	200	1000	15/16" Solid Shaft
1502N	62	200	1000	15/16" Solid Shaft
1502XL	62	200	1000	15/16" Solid Shaft



### 1700 Series 5-Roller Pumps

PART#	GPM	PSI	MAX RPM	SHAFT OUTPUT
1700C	45	200	1000	15/16" Solid Shaft
1700N	45	200	1000	15/16" Solid Shaft
1700XL	45	200	1000	15/16" Solid Shaft





Owensboro, KY  
270.684.4202

Russellville, KY  
270.725.8948

Greensburg, IN  
812.222.1220

Mt. Vernon, IL  
618.847.0283



### Small Twin Piston Pumps

Hypro's Twin® piston pumps are used in a variety of spraying and pressure cleaning applications, as well as hydrostatic testing. These heavy-duty pumps are ideal for fluid handling of water and non-abrasive or general use chemicals. All pumps are constructed from cast iron materials. They feature stainless steel valves and ball bearing, leather or fabric-reinforced Buna-N or straight Buna-N cups. You can choose from a variety of drive systems including: belt and pulley, 540 rpm PTO, gasoline engine or electric motor.



PART#	GPM	PSI	MAXRPM	SHAFT OUTPUT
5315C-X	1.5	500	1800	5/8" OD Solid Shaft
5320C-X	2.2	500	1800	5/8" OD Solid Shaft
5325C-X	2.5	500	1800	5/8" OD Solid Shaft
5330C-X	3	500	1800	5/8" OD Solid Shaft
5315C-HX	1.5	500	1800	5/8" ID Hollow Shaft
5320C-HX	2.2	500	1800	5/8" ID Hollow Shaft
5325C-HX	2.5	500	1800	5/8" ID Hollow Shaft
5330C-HX	3	500	1800	5/8" ID Hollow Shaft

### Versa Twin Diaphragm Pumps

The Hypro Versa-Twin pump is a breakthrough in fluid pumping technology consisting of a double acting simplex pump whose body permits adaptation to either a high pressure plunger pump or a high flow diaphragm pump by simply changing a few internal components. The innovative design provides excellent chemical resistance and the lightweight construction is ideal for mobile applications giving it a clear advantage over metal in many applications. The strong plastic body allows the pump to generate pressures traditionally reserved for metal construction. Hypro's Versa-Twin series of pumps are ideal for transferring a variety of fluids in applications such as carpet cleaning, pest control and turf spraying.



PART#	GPM	PSI	MAX RPM	DESCRIPTION	PORTS	MOTOR
2150P-D35DC	7	100	1800	2 Diaphragm Pump	3/4"	1/2 HP, 12 VDC
2150P-D39DC	8.3	100	1800	2 Diaphragm Pump	3/4"	1/2 HP, 12 VDC
2150P-D05AC	6.7	100	1750	2 Diaphragm Pump	3/4"	110 VAC, 60 Hz
2150P-D05EU	6.7	100	1750	2 Diaphragm Pump	3/4"	208-230 VAC, 50 Hz
2150P-D55GE	7	100	1875	2 Diaphragm Pump	3/4"	5.5 hp PowerPro
2150PX				Replacement Pump Head		
3430-0633				Diaphragm Repair Kit		
3430-0634				Valve Kit		

Call for Pricing



137

Pumps



## PTO & Shaft Adapters

**Die Cast**



PART#	PTO	PUMP END	RPM	PUMP MODEL
1320-0015	3/4"	5/8"	*	4000, 6500
1320-0016	5/8"	5/8"	*	4000, 6500
1320-0022	1 3/8"	5/8"	540	6500
1320-0033	1 3/8"	1 5/16"	540	1500, 1700, 7560, 7700
1320-0038	1 3/8"	1 5/16"	1000	1500, 1700, 7560
1320-0053	1 3/8"	5/8"	1000	4000, 6500
1320-0054	3/4"	1 5/16"	*	1500, 1700, 7560, 7700
1320-0059	1 3/8"	1"	540	1200, 5200

\* = Refer to Pump

**Forged Steel**



PART#	PTO	PUMP END	RPM	PUMP MODEL
1320-0076	1 3/8"	1 5/16"	540	1500, 1700, 7560, 7700
1320-0077	1 3/8"	5/8"	540	6500
1320-0078	1 3/8"	1 5/16"	1000	1500, 1700, 7560
1320-0079	1 3/8"	5/8"	1000	4000, 6500
1320-0080	1 3/4"	1 5/16"	1000	1500, 1700, 7560
1320-0081	1 3/8"	1"	540	1200, 5200

## Pump Quick Couplers

**Die Cast**



PART#	PTO	PUMP END	RPM	PUMP MODEL
1321-0006	1 3/8"	5/8"	540	6500
1321-0007	1 3/8"	1 5/16"	540	1500, 1700, 7560, 7700
1321-0008	1 3/8"	5/8"	1000	4000, 6500
1321-0009	1 3/8"	1 5/16"	1000	1500, 1700, 7560
1321-0012	1 3/8"	5/8"	540/1000	1500, 1700, 7560
1321-0013	1 3/8"	1 5/16"	540/1000	1500, 1700, 7560, 7700

**Forged Steel**



PART#	PTO	PUMP END	RPM	PUMP MODEL
1323-0072	1 3/8"	1 5/16"	540	1500, 1700, 7560, 7700
1323-0073	1 3/8"	1 5/16"	1000	1500, 1700, 7560
1323-0074	1 3/8"	5/8"	540	6500
1323-0075	1 3/8"	5/8"	1000	4000, 6500
1323-0076	1 3/8"	1 5/16"	540/1000	1500, 1700, 7560, 7700
1323-0077	1 3/8"	5/8"	540/1000	4000, 6500

## Roller & Rotor Repair Kits

PART#		PUMP MODEL
2000-0010	Bearing, 4 & 6 Roller	4001, 4101, 6500
2008-0001	Bearing, 5, 7 & 8 Roller	1502, 1700, 7560, 7700
3430-0581	4 Super Rollers, 2 O-Ring Gaskets (Round & Square), 2 Viton Seals	1200, 4001, 4101
3430-0582	6 Super Rollers, 2 O-Ring Gaskets (Round & Square), 2 Viton Seals	1500, 1700, 6500
3430-0583	8 Super Rollers, 2 O-Ring Gaskets (Round & Square), 2 Viton Seals	7560, 7700
1005-0002	1/2" Roller	4001, 4101
1005-0004	1 1/16" Roller	6500, 7560, 7700
2107-0002	Viton Shaft Seal, 4 & 6 Roller	4001, 4101, 6500
2112-0003	Viton Shaft Seal, 5, 7 & 8 Roller	1502, 1700, 7560, 7700



Owensboro, KY  
270.684.4202

Russellville, KY  
270.725.8948

Greensburg, IN  
812.222.1220

Mt. Vernon, IL  
618.847.0283



## MP Pumps

### FLOMAX<sup>®</sup> 8 Pumps

#### Specifications:

- Suction and Discharge - 2" x 2" NPT
- Materials of Construction - Cast iron
- Flow - Up to 150 GPM
- Head Feet - Up to 100'
- Motor - Up to 3 HP
- Seal - Standard carbon / ceramic / Viton



**2" Pedestal Mount**  
21339



**2" Engine Mount Pump Pac**  
36585



**2" Hydraulic Pedestal Drive**  
36588



**2" 6.5 HP Honda**  
Pump # 36585  
Engine # GX200TQX2

### FLOMAX<sup>®</sup> 15 Pumps

#### Specifications:

- Suction and Discharge - 3" x 3" NPT
- Materials of Construction - Cast iron
- Flow - Up to 320 GPM
- Head Feet - Up to 145'
- Motor - Up to 7.5 HP
- Seal - Standard carbon / ceramic / Viton



**3" Pedestal Mount**  
21381



**3" Hydraulic Pedestal Drive**  
28553



**3" Pedestal Engine Mount**  
29944

### Petroleum 8 Pumps

#### Specifications:

- Suction and Discharge - 2" x 2" NPT
- Materials of Construction - Cast iron
- Flow - Up to 150 GPM
- Head Feet - Up to 100'
- Motor - Up to 3 HP
- Seal - carbon / silicon carbide / Viton



**2" 5.5 HP JD Val-U-Drive**  
36456



**2" PETRO-MAX Pump**  
w/ 6.5 HP JD Engine  
37052

Pumps

Call for Pricing



139



## Gas Driven Poly Centrifugal Pumps



**SEB2PL E5.5**



**SE2UL E6HCP**



**SE3SL E6VCP/ES**

- Glass reinforced polyester with carrying handle
- 316 stainless steel internal and external fasteners
- EPDM O-rings, gasket, & check valve
- Viton options available
- Fast suction lifts up to 25'
- Electric start option available on select models
- 1 Year warranty

Part #	INLET & OUTLET	MAX GPM	TOTAL HEAD (FT)	HP	ENGINE
SEB2PL E5.5	2"	160	120	6	LCT Maxx Series
SE2UL E6HCP*		200	126	6.5	Honda GX Series
SE2UL E6VCP*					B&S Vanguard Series
SE3SL E6HCP*	3"	280	83		Honda GX Series
SE3SL E6VCP*					B&S Vanguard Series

\*Electric start option available

## Pump Rebuild Kits

Part #	Fits Models	Impeller
P-58-702EP-P	SEB2PL, SE2PL, SE11/2AL, & SE2FL	3 Vane
P-58-702EP-U	SEB2UL, SE2UL, SE2CL, SE2IL, SE3NL, & SE3XL	5 Vane
P-58-977EP-RS	SE3SL, SE3LL, SE3ZL, SE2JL, & SE2RL	4 Vane



**4 Vane Kit**

More rebuild kit options available  
Individual components available





Owensboro, KY  
270.684.4202

Russellville, KY  
270.725.8948

Greensburg, IN  
812.222.1220

Mt. Vernon, IL  
618.847.0283



## Diaphragm Pumps

### Economy Plus 2200 Series

12 VDC Pumps

PART#	GPM	SWITCH	PSI	VALVES	DIAPHRAGM	PORTS	CONNECTOR
2240-1B1-10E	1.0	Demand	40	Viton	Santoprene	3/8" Barb	2-Pin



### ProFlo 3300 Series

12 VDC Pumps

PART#	GPM	SWITCH	PSI	VALVES	DIAPHRAGM	PORTS	CONNECTOR
3321-2E1-82A	1.2	Bypass	60	Viton	Santoprene	3/8" FNPT	Bare Leads
3323-1E1-82B	2.2	Demand	60	Viton	Santoprene	3/8" FNPT	2-Pin



### ProFlo 5500 Series

12 VDC Pumps

PART#	GPM	SWITCH	PSI	VALVES	DIAPHRAGM	PORTS	CONNECTOR
5534-1E1-82B	3.0	Demand	60	Viton	Santoprene	1/2" FNPT	2-Pin
5536-1E1-82B	4.0	Demand	60	Viton	Santoprene	1/2" FNPT	2-Pin
5537-1E1-82B	5.3	Demand	60	Viton	Santoprene	1/2" FNPT	2-Pin



### 115 VAC Pumps

PART#	GPM	SWITCH	PSI	VALVES	DIAPHRAGM	PORTS	CONNECTOR
5537-1E1-58C	5.3	Demand	60	Viton	Santoprene	1/2" FNPT	2-Pin

### ProFlo Fatboy Series

12 VDC Pumps

PART#	GPM	SWITCH	PSI	VALVES	DIAPHRAGM	PORTS	CONNECTOR
5538-1E1-94A	7.0	Demand	60	Viton	Santoprene	1/2" FNPT	Bare Leads



1 Year Warranty

Pumps are available in multiple options such as motor sizes, voltage, pressure settings, diaphragms, valves, inlet/outlet ports, controls, and electrical connectors.

Call for Pricing



141

Pumps



## Power Twin Diaphragm Pumps

Take all the performance and features of the time tested 2088 series, double it, and the result is the high flow Power Twin. Delivers an open flow of 6.25 GPM (23.6 l/min) at a mere 9.8 amps. At 40 PSI (2.8 bar) it delivers 3.5 GPM (13.2 l/min) and draws only 17.2 amps. One of the most efficient high flow self-priming pumps available today, the Power Twin is excellent for transferring, spraying, and use as a 1:1 proportioning pump.



Part # 4111-035

Without Manifold  
4211-035

## 5000 Series Diaphragm Pumps

- Field-proven pump head design
- Driven by a 12-volt, sealed motor
- Self Priming up to 8 feet
- Santoprene diaphragm for chemical resistance & maximum life
- Viton valves provide maximum chemical resistance
- Automatic demand versions with built-in pressure switch, set at 60 psi protects the pump in the event of dead-heading
- Bypass versions set at 90 psi, protects the pump in the event of dead heading
- Available in the same footprint as other Shurflo pumps, allowing users to upgrade to a higher performance on existing installations



**Bypass**



**Demand**

PART#	GPM	SWITCH	PSI	VALVES	DIAPHRAGM	PORTS	CONNECTOR
5059-1310-D011	5.3	Bypass	90	Viton	Santoprene	1/2" FNPT	Bare Leads
5059-1311-D011	5.3	Bypass	90	Viton	Santoprene	1/2" MNPT	Bare Leads
5059-3610-D011	5.3	Demand	60	Viton	Santoprene	1/2" FNPT	Bare Leads
5059-3611-D011	5.3	Demand	60	Viton	Santoprene	1/2" MNPT	Bare Leads



Owensboro, KY

270.684.4202

Russellville, KY

270.725.8948

Greensburg, IN

812.222.1220

Mt. Vernon, IL

618.847.0283



## 2087 Series Automatic Demand Pumps with Electrical Package

These new models include an aesthetically pleasing molded assembly, housing a rocker-type switch with international on/off symbols. Wiring is neatly routed into the molded assembly through form fitted entries, and strain relieved inside the housing.

- Self Priming up to 12 vertical feet (3.7m)
- Chemical resistant materials
- Can run dry without damage
- Rocker switch protected from the elements by a clear boot
- Built-in on/off switch included
- 2-pin connector on power lead



**12 VDC Automatic Demand Self-Priming Diaphragm Pump 3.0 GPM, 45 PSI, Electrical Pckg**  
2087-593-135

## 2088 Series Diaphragm Transfer Pumps

SHURflo 2088 Series diaphragm pumps deliver reliable performance in high flow, moderate pressure applications. They are used in a variety of spot spraying, multi-tip spraying and fertilizer drip applications that require flows of up to 3.6 GPM (13.6 l/min). They are available in a variety of chemical resistant materials.

- Self Priming up to 12 vertical lift feet (3.7m)
- Built-in check valve (may vary by models)
- Prevents back flow of fluid into the solution tank
- Continuous duty motor (fin cooled version only)
- Chemical resistant materials
- Can run dry without damage
- Automatic demand



**12 VDC 3.6GPM Self-Priming Premium Demand Pump Fin Cooled Motor, 45 PSI**  
2088-313-145



**12 VDC Standard Demand Self-Priming Diaphragm Pump 3.0 GPM, 45 PSI**  
2088-343-135



**115 VAC Automatic Demand Diaphragm Pump 3.0 GPM, 45 PSI**  
2088-394-144



**12 VDC Automatic Demand Self-Priming Diaphragm Pump 3.0 GPM, 45 PSI, 6' Power Cord**  
2088-514-144

Call for Pricing



143

Pumps





## 8000 Series Diaphragm Transfer Pumps

The 8000 Series diaphragm pump is SHURflo's most widely used agriculture pump. With its conical shaped Viton® valves and automatic demand switch, the 8000 Series pump is the pump of choice for sprayers used on the farm or around the yard. These 12 VDC pumps deliver up to 1.8 GPM (6.8 l/min) providing maximum performance in a wide range of applications.

- Self priming up to 8 vertical feet (2.4m)
- Chemical resistant materials
- Designed for heavy duty spraying and fluid transfer applications
- Can run dry without damage
- Built-in check valve



**115 VAC Industrial 1.4 GPM Diaphragm Pump**  
Self-Priming, 60 PSI  
8000-533-236



**12 VDC Demand 1.8 GPM Diaphragm Pump 60 PSI**  
Self-Priming  
8000-543-236



**12 VDC Internal Bypass Foam Marker Pump**  
1.8 GPM, 45 PSI, Self-Priming  
8000-543-250

## 8007 Series Diaphragm Bypass Pumps

These new models include an aesthetically pleasing molded assembly, housing a rocker-type manual switch with international on/off switch symbols. Wiring is neatly routed into the molded assembly through form fitting entries, and strain relieved inside the housing. Fused versions come with an automatic type fuse housed under a snug fitting cap marked "fuse" Non-fused versions have a raised section.

- Self priming up to 8 vertical feet (2.4m)
- Chemical resistant materials
- Internal bypass
- Can run dry without damage
- Built in on/off switch included
- 2-Pin connector on Power leads
- Available w/ or without integral fuse
- Rocker switch protected from the elements by a clear boot



**12 VDC Internal Bypass 1.8 GPM Demand Pump**  
45 PSI,  
Electrical Package  
8007-543-850



**12 VDC Diaphragm 1.8 GPM Demand Pump 60 PSI**  
Electrical Package  
8007-543-836

## Shurflo Swivel Wingnut Fittings

### Straight Poly Fittings



PART#	FPT	HB
8-070-01	1/2"	1/4"
8-071-01	1/2"	3/8"
8-156-01	1/2"	3/4"

### Elbow Poly Fittings



PART#	FPT	HB
8-034-01	1/2"	1/4"
8-060-01	1/2"	3/8"
8-157-01	1/2"	3/4"

